

SERIES 80

MADE TO ORDER CABLE ASSEMBLIES



Nothing quite says "turnkey" like a factory-terminated and -tested Mighty Mouse Cordset. From simple point-to-point assemblies like the Mighty Mouse/USB cable shown above, to complex multi-branch cable harnesses, junction-box assemblies, shielded, overmolded designs and more—Glenair delivers true "turnkey" service on our entire Series 80 product line. And at Glenair, the bid-process for custom Mighty Mouse cables is streamlined. We TRULY pride ourselves on FAST delivery. In fact, because we manufacture all our component parts in-house—including connectors, cables, backshells and other accessories—we can usually quote, build, test and ship our cables faster than many cable shops can complete their bid-file paperwork. So, after you've made the decision to choose Mighty Mouse for your mission-critical application, we invite you to leverage our cable assembly service for added speed and convenience.



**Series 804 Push-Pull Mighty Mouse
Quick-Disconnect Connectors
Product Selection Guide**



SECTION G SERIES 804 PUSH-PULL PRODUCT SELECTION GUIDE

Cable Plugs

Page G-5

804-001, 804-002



Series 804 Cable Plugs

Cable plugs are available with an integral shield termination platform for use with **BAND-IT**® microbands sold separately, or with accessory threads for backshell attachment. Contacts are crimp-type, and are packaged with the connector.

Crimp Receptacles

Page G-7

804-003, 804-004



Series 804 Receptacles, Crimp Termination

Choose in-line version for free-hanging cables, or choose jam nut versions for panel mounting. Crimp receptacles are available with an integral shield termination platform or with accessory threads for backshell attachment. Contacts are crimp-type, and are packaged with the connector.

Solder Cup/PCB Receptacles

Page G-11

804-005, 804-020



Series 804 Receptacles with PCB or Solder Cup Terminals

These panel mount connectors feature gold plated, factory-installed contacts. Connector bodies are sealed with epoxy to assure a water-tight open face seal.

Panel Mount Plugs

Page G-14

804-009, 804-021



Series 804 Panel Mount Plugs with PCB or Solder Cup Terminals

These panel mount plugs offer reduced profiles inside the box compared to panel mount receptacles. Connector bodies are sealed with epoxy to assure a water-tight open face seal.

Hermetic Receptacles

page G-18



Series 804 Hermetic Receptacles

Need a miniaturized hermetic for a sealed box or instrument? These stainless steel, glass-sealed connectors are available with solder cup or PC tail contacts. 100% tested to meet 1 X 10⁻⁶ cc/sec helium leakage. Open face pressure rating 1000 PSI.

Cordsets

page G-21

804-015, 804-018,
804-019, 804-022



Series 804 Cordsets

Specify overmolded cordsets for optimum convenience and performance. Select standard polyurethane cable for general purpose applications, or specify low smoke/zero halogen polyurethane for applications where low toxicity is mandated.

Metal Covers

Page G-25

667-202, 809-198



Series 804 Metal Protective Covers

These metal covers provide a watertight seal and prevent damage. Select nylon cord or wire rope lanyards with a range of ring terminal diameters to fit just about any need.

Rubber Covers

page G-30

809-083, 809-087



Series 804 Rubber Covers

These splashproof neoprene covers are ideal for tactical equipment where metal covers are not preferred.

Flop Lids

Page G-33

667-282



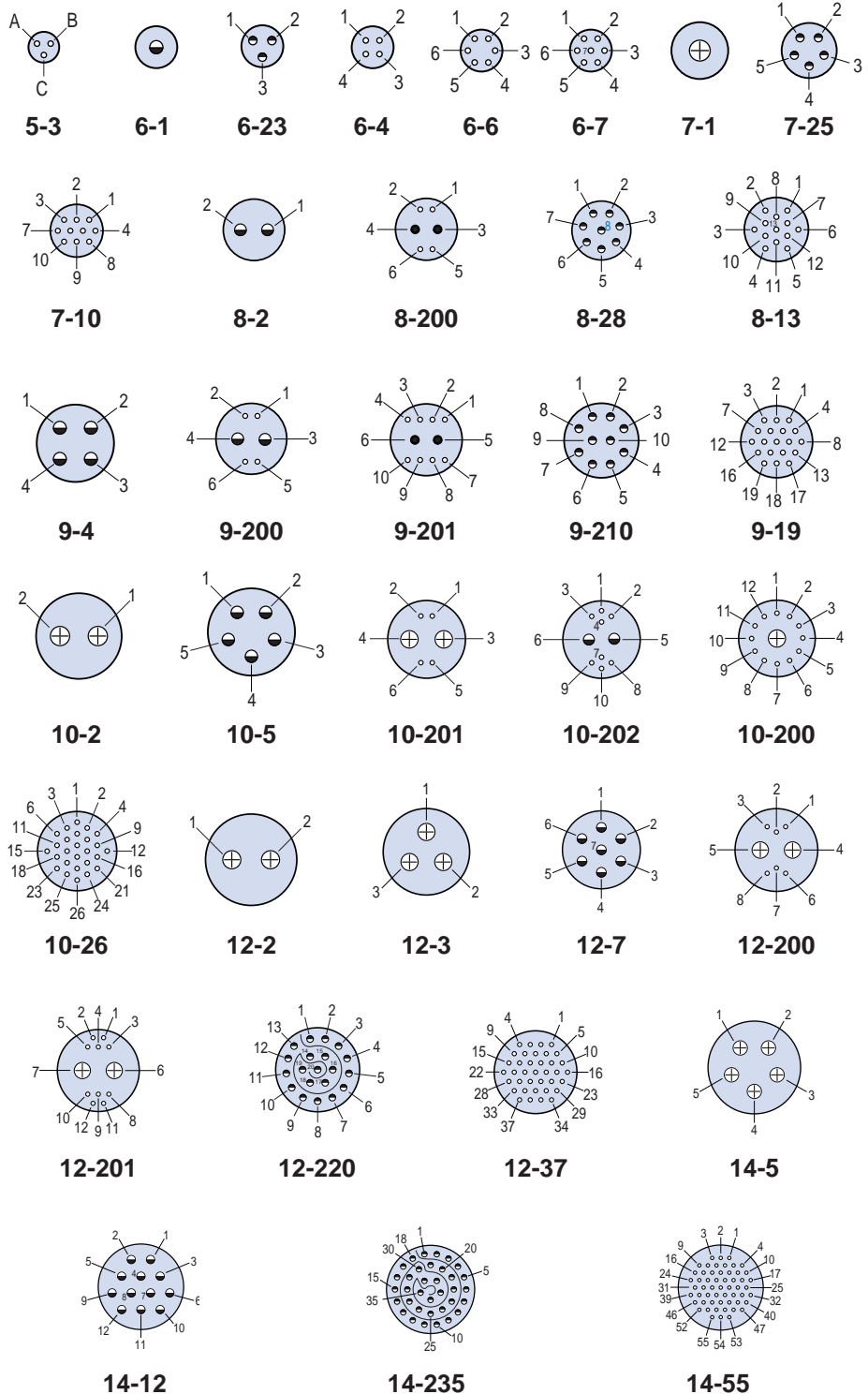
Series 804 Metal Flop Lid Covers

These metal covers fit rear panel jam nut receptacles. Spring-loaded cover snaps shut when mating plug is pulled free.

Dimensions in inches (millimeters) and are subject to change without notice.

Mating Face View of Pin Connector (socket connector numbers are reversed)

CONTACT ARRANGEMENTS					
Contact Arr.	No. of Contacts				
	#23	#20	#20HD	#16	#12
5-3	3				
6-1				1	
6-23			3		
6-4	4				
6-6	6				
6-7	7				
7-1					1
7-25			5		
7-10	10				
8-2				2	
8-28			8		
8-13	13				
8-200	4	2			
9-4				4	
9-210			10		
9-19	19				
9-200	4			2	
9-201	8	2			
10-2					2
10-5				5	
10-26	26				
10-200	12				1
10-201	4				2
10-202	8			2	
12-2					2
12-3					3
12-7				7	
12-220			20		
12-37	37				
12-200	6				2
12-201	10				2
14-5					5
14-12				12	
14-235			35		
14-55	55				



Contact Legend
 #23 ⊕ #20HD ⊙ #20 ● #16 ⊖ #12 ⊕

Dimensions in inches (millimeters) and are subject to change without notice.

© 2010 Glenair, Inc.

CAGE Code 06324

Printed in U.S.A.

GLENAIR, INC. • 1211 AIR WAY • GLENDALE, CA 91201-2497 • 818-247-6000 • FAX 818-500-9912

www.glenair.com

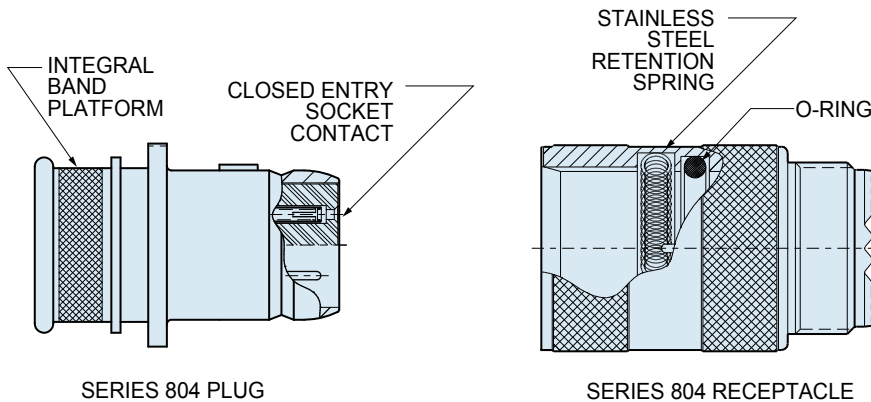
G-2

E-Mail: sales@glenair.com

Rev. 09-JULY-2010

Series 804 Push-Pull Mighty Mouse Quick-Disconnect Connectors

General Information



- Push-to-Mate, Pull-to-Unmate
- Gold-Plated tainless Steel Spring
- Crimp Rear Release Contacts
- Integral Band Platform
- Available with Size #12, #16, #20, #20HD and #23 Contacts
- Environmentally Sealed

Series 804 Quick-Disconnect Offers Environmental Sealing and Rugged Design in a Lightweight, Push-Pull Package

Ideal for breakaway connections, the Series 804 QDC connector features a stainless steel spring in the receptacle and a detent on the plug body. Used for headsets, radios, weapons and other applications, the QDC Mighty Mouse meets immersion requirements and provides excellent durability. The gold-plated spring provides low shell-to-shell resistance for excellent EMI shielding. A fluorosilicone o-ring provides a watertight seal when mated.



SPECIFICATIONS

Current Rating	#23 5 AMPS, #16 13 A., #12 23 A.
Dielectric Withstanding Voltage	#23 500 VAC RMS, #12 and #16 1800 VAC RMS
Insulation Resistance	5000 megohms minimum
Operating Temperature	-65° C. to +150° C.
Shock	300 g.
Vibration	37 g.
Shielding Effectiveness ⁽¹⁾	60 dB minimum from 100MHz to 1000MHz.
Durability	2000 mating cycles
(1) Tested with electroless nickel plating	
See Series 80 General Information for complete performance specs.	

MATERIALS AND FINISHES

Shells, Jam Nuts	Aluminum alloy or stainless steel
Contacts	Copper alloy, 50 µInch gold plated
Insulators	Liquid crystal polymer (LCP)
Contact Retention Clip	Beryllium copper alloy
Seal, O-rings, Grommet	Fluorosilicone rubber
Spring	Gold plated stainless steel
See Series 80 General Information for complete material and finish specs.	

Dimensions in inches (millimeters) and are subject to change without notice.



Series 804 Push-Pull Mighty Mouse Quick-Disconnect Connectors General Information

SERIES 804 WEIGHTS

Maximum Weight In Grams				
Layout	Plug	Jam Nut Receptacle		In-Line Recep.
		Rear Mount	Front Mount	
5-3P	2.2	8.0	9.7	4.0
5-3S	2.4	8.3	9.8	4.1
6-1P	3.1	7.2	11.8	5.2
6-1S	3.4	7.5	12.1	5.5
6-4P	2.8	8.8	11.4	4.8
6-4S	3.0	9.0	11.6	5.1
6-7P	3.0	9.1	11.7	5.3
6-7S	3.2	9.5	12.0	5.5
7-1P	3.7	11.1	16.4	10.1
7-1S	4.3	11.7	16.9	10.7
7-10P	3.7	10.9	16.2	10.0
7-10S	4.2	11.3	16.5	10.3
8-2P	5.0	10.9	13.5	8.0
8-2S	5.7	5.7	11.7	9.0
8-13P	4.3	10.6	12.4	7.4
8-13S	4.8	11.0	13.0	8.1
8-200P	5.3	11.2	13.9	8.4
8-200S	6.1	12.0	14.6	9.1
9-4P	5.7	15.2	21.1	11.0
9-4S	6.7	16.2	22.1	12.0
9-19P	4.6	14.1	20.0	9.9
9-19S	4.8	14.9	21.1	9.8
9-200P	5.2	14.6	20.6	10.5
9-200S	6.3	15.7	21.7	11.6
9-201P	5.8	15.3	21.2	11.1
9-201S	6.9	16.4	22.3	12.2
10-5P	7.3	15.5	23.3	11.9
10-5S	8.7	16.9	24.8	13.3
10-26P	5.4	13.6	20.5	10.1
10-26S	6.2	13.9	21.1	10.5
10-200P	6.2	14.4	22.2	10.8
10-200S	7.6	15.8	23.7	12.2
10-201P	6.3	14.5	22.3	10.9
10-201S	7.7	16.0	23.8	12.3
10-202P	6.3	14.5	22.3	10.9
10-202S	7.8	16.1	23.9	12.4
12-2P	10.7	21.5	26.1	20.8
12-2S	12.3	23.1	27.7	22.4
12-3P	11.7	22.4	27.1	21.8
12-3S	13.4	24.2	28.8	23.4
12-7P	11.9	22.7	27.3	22.0

SERIES 804 WEIGHTS

Maximum Weight In Grams				
Layout	Plug	Jam Nut Receptacle		In-Line Recep.
		Rear Mount	Front Mount	
12-7S	14.5	25.3	29.9	24.6
12-37P	10.1	21.5	25.5	22.4
12-37S	11.8	23.1	27.2	22.1
12-200P	10.3	21.1	25.7	20.5
12-200S	12.5	23.3	27.9	22.7
12-201P	10.7	21.5	26.1	22.8
12-201S	13.0	23.8	28.4	23.1
14-5P	15.4	28.3	33.6	26.3
14-5S	18.4	31.2	36.5	29.3
14-12P	16.2	29.0	34.3	27.1
14-12S	19.8	32.7	38.0	30.7
14-55P	12.8	25.6	30.9	23.7
14-55S	15.6	28.3	33.8	26.5

SERIES 804 UNMATE FORCE

Layout	Average Force	
	Pounds	Newtons
5-3	10.6	47.1
6-4	10.8	48.0
6-7	11.4	50.7
7-10	12.0	53.4
8-13	12.6	56.0
9-19	13.8	61.4
10-26	15.2	67.6
12-37	17.4	77.4
14-55	21.0	93.4

Dimensions in inches (millimeters) and are subject to change without notice.

Series 804 Push-Pull Mighty Mouse Plug Connector Ordering Information

804-001 & 804-002



Quick Disconnect

These plugs snap securely into receptacle housings and release with a simple pull.

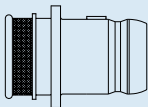
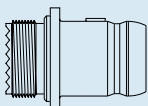
Two Keying Styles

A single master key provides fast mating in low-light situations, or specify three keys for more polarizing options.

Two Shell Styles

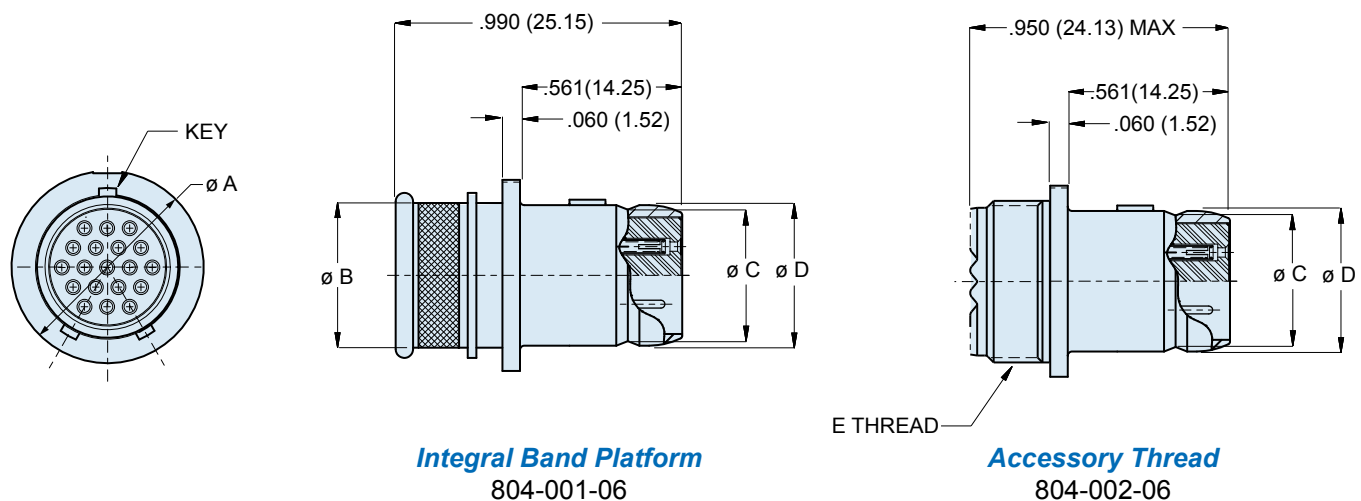
Integral platform for direct shield attachment using the *BAND-IT*® termination system, or an accessory thread for attaching a strain relief.

Series 804 Plug Connector

HOW TO ORDER					
Sample Part Number					
804-001	-06	M	9-19	S	
Series	Shell Style	Shell Material / Finish	Shell Size- Insert Arrangement	Contact Type	Shell Key Position
 <p>804-001 Plug with Banding Platform</p>  <p>804-002 Plug with Accessory Thread</p>	-06 Plug	<p>C Aluminum / Black Anodize (Non-Conductive) RoHS Compliant</p>	SEE CONTACT ARRANGEMENTS PAGE G-2	<p>Connector supplied with contacts</p> <p>P Pin</p>	<p>Omit for Single Master Key</p>
		<p>M Aluminum / Electroless Nickel RoHS Compliant</p>		<p>S Socket</p>	
		<p>NF Aluminum / Cadmium with Olive Drab Chromate</p>		<p>Connector supplied without contacts</p> <p>A Pin Connector, less contacts</p>	<p>B Pos. B</p>
		<p>ZN Aluminum / Zinc-Nickel with Olive Drab Chromate</p>		<p>B Socket Connector, less contacts</p>	<p>C Pos. C</p>
		<p>ZNU Aluminum / Zinc-Nickel with Black Chromate</p>		<p>Connectors with contacts are supplied with signal and/or power crimp contacts. These contacts are not installed.</p> <p>Coaxial contacts and non-standard signal contacts are ordered separately.</p>	<p>D Pos. D</p>
		<p>MT Aluminum / Nickel-PTFE RoHS Compliant</p>			
		<p>Z1 Stainless Steel / Passivated RoHS Compliant</p>			

Dimensions in inches (millimeters) and are subject to change without notice.





Integral Band Platform
804-001-06

Accessory Thread
804-002-06

DIMENSIONS

Shell Size	Ø A Max.		Ø B		Ø C		Ø D		E Threads
	In.	mm.	In.	mm.	In.	mm.	In.	mm.	
5	.427	10.85	.246	6.25	.219	5.56	.250	6.35	.2500-32 UNEF-2A
6	.495	12.57	.286	7.26	.282	7.16	.313	7.95	.3125-32 UNEF-2A
7	.575	14.61	.390	9.91	.351	8.92	.383	9.73	.4375-28 UNEF-2A
8	.614	15.60	.442	11.23	.398	10.11	.429	10.90	.5000-28 UNEF-2A
9	.670	17.02	.500	12.70	.454	11.53	.486	12.34	.5625-24 UNEF-2A
10	.745	18.92	.564	14.33	.529	13.44	.563	14.30	.6250-24 UNEF-2A
12	.865	21.97	.650	16.51	.646	16.41	.676	17.17	.6875-24 UNEF-2A
14	.985	25.02	.805	20.45	.768	19.51	.800	20.32	.9375-20 UNEF-2A

SERIES 804 PLUG KEY POSITIONS

	A°	B°	
A	150°	210°	
B	75°	210°	
C	95°	230°	
D	140°	275°	

Dimensions in inches (millimeters) and are subject to change without notice.

Series 804 Push-Pull Mighty Mouse Crimp Receptacles

804-003 and 804-004



In-Line
804-003-01



**Rear Panel Jam
Nut Mount**
804-003-07



**Front Panel Jam
Nut Mount**
804-003-00

Integral Band Platform for direct attachment of a cable shield. Install a boot, or overmold directly onto the band platform. Or, choose an accessory thread for attaching strain reliefs and backshells.

Three Shell Styles
Jam nut with O-ring for front or rear panel mounting, or in-line receptacles for free-hanging cables.

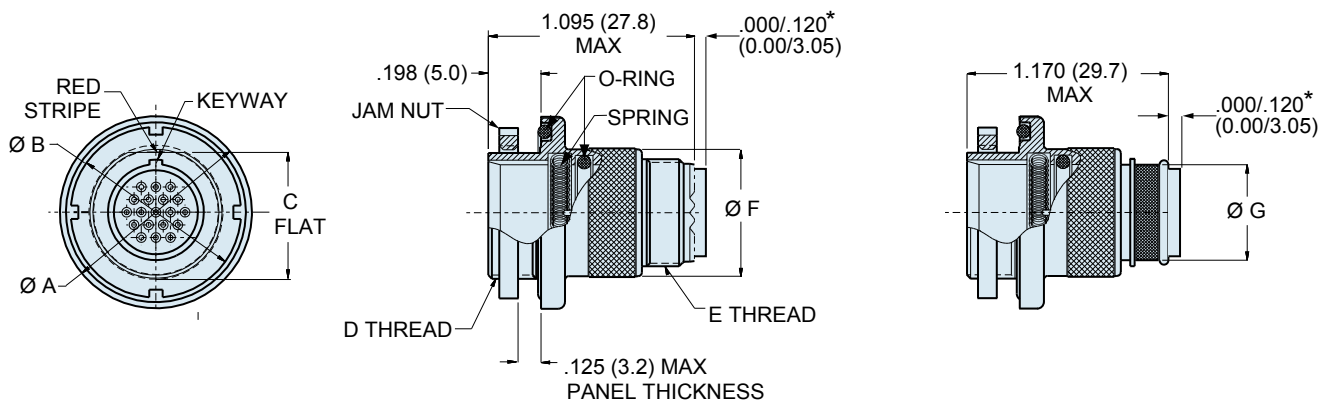
Watertight, Shielded
O-ring inside the receptacle provides a dynamic seal when mated. Gold-plated spring provides secure mechanical retention and low shell-to-shell resistance for excellent EMI shielding.

HOW TO ORDER					
Sample Part Number					
804-003	-01	M	7-10	P	
Series	Shell Style	Shell Material / Finish	Shell Size- Insert Arrangement	Contact Type	Shell Key Position
 804-003 Receptacle with Banding Platform	 -00 Jam Nut for Front Panel Mounting	C Aluminum / Black Anodize (Non-Conductive) RoHS Compliant M Aluminum / Electroless Nickel RoHS Compliant NF Aluminum / Cadmium with Olive Drab Chromate ZN Aluminum / Zinc-Nickel with Olive Drab Chromate ZNU Aluminum / Zinc-Nickel with Black Chromate MT Aluminum / Nickel-PTFE RoHS Compliant Z1 Stainless Steel / Passivated RoHS Compliant	SEE CONTACT ARRANGEMENTS PAGE G-2	Connector supplied with contacts P Pin S Socket Connector supplied without contacts A Pin Connector, less contacts B Socket Connector, less contacts Connectors with contacts are supplied with signal and/or power crimp contacts. These contacts are not installed. Coaxial contacts and non-standard signal contacts are ordered separately.	Omit for Single Master Key A Pos. A (Normal) B Pos. B C Pos. C D Pos. D
 804-004 Receptacle with Accessory Thread	 -01 In-Line for Free-Hanging Cable				
	 -07 Jam Nut for Rear Panel Mounting				

Dimensions in inches (millimeters) and are subject to change without notice.

Series 804 Push-Pull Mighty Mouse Jam Nut Rear Panel Receptacle Dimensions

804-004-07 and 804-003-07



*Grommet protrudes for power/combo arrangements

Accessory Thread
804-004-07

Integral Band Platform
804-003-07

DIMENSIONS

Shell Size	Ø A		Ø B		C Flat		D Threads	E Threads	Ø F		Ø G	
	In.	mm.	In.	mm.	In.	mm.			In.	mm.	In.	mm.
5	.790	20.07	.562	14.27	.415	10.54	.4375-32 UN-2A	.2500-32 UNEF-2A	.450	11.43	.246	6.25
6	.830	21.08	.625	15.87	.467	14.40	.5000-32 UN-2A	.3125-32 UNEF-2A	.520	13.21	.286	7.26
7	.910	23.11	.750	19.05	.594	15.09	.6250-28 UN-2A	.4375-28 UNEF-2A	.580	14.73	.390	9.91
8	.955	24.26	.750	19.05	.594	15.09	.6250-28 UN-2A	.5000-28 UNEF-2A	.603	15.32	.442	11.23
9	1.000	25.40	.812	20.62	.655	16.64	.6875-28 UN-2A	.5625-24 UNEF-2A	.695	17.65	.500	12.70
10	1.085	27.48	.875	22.22	.721	18.31	.7500-28 UN-2A	.6250-24 UNEF-2A	.735	18.67	.564	14.33
12	1.180	29.97	1.000	25.40	.843	21.41	.8750-28 UN-2A	.6875-24 UNEF-2A	.880	22.35	.650	16.51
14	1.325	33.66	1.125	28.57	.968	24.59	1.0000-28 UN-2A	.9375-20 UNEF-2A	1.010	25.65	.805	20.45

ALTERNATE KEY POSITIONS

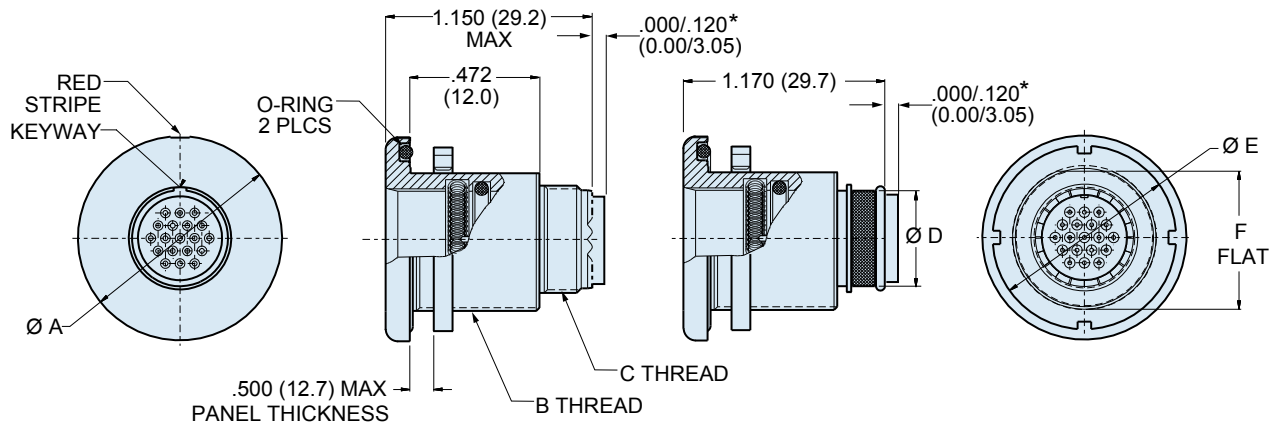
Pos.	A°	B°
B	75°	210°
C	95°	230°
D	140°	275°
E	75°	275°
F	95°	210°

JAM NUT PANEL CUTOUT

Shell Size	A Flat		Ø B	
	In. ± .002	mm. ± 0.05	In. ± .005	mm. ± 0.13
5	.423	10.74	.448	11.38
6	.475	12.07	.510	12.95
7	.588	14.94	.635	16.13
8	.602	15.29	.635	16.13
9	.663	16.84	.698	17.73
10	.729	18.82	.760	19.30
12	.851	21.62	.885	22.48
14	.976	24.79	1.010	25.65

Dimensions in inches (millimeters) and are subject to change without notice.

Series 804 Push-Pull Mighty Mouse Jam Nut Front Panel Receptacle Dimensions 804-004-00 and 804-003-00



*Grommet protrudes for power/combo arrangements

Accessory Thread
804-004-00

Integral Band Platform
804-003-00

DIMENSIONS										
Shell Size	Ø A		B Threads	C Threads	Ø D		Ø E		F Flat	
	In.	mm.			In.	mm.	In.	mm.	In.	mm.
5	.830	21.08	.5000-32 UN-2A	.2500-32 UNEF-2A	.246	6.25	.625	15.87	.470	11.94
6	.885	22.48	.5625-32 UN-2A	.3125-32 UNEF-2A	.286	7.26	.688	17.47	.530	13.46
7	.995	25.27	.6875-28 UN-2A	.4375-28 UNEF-2A	.390	9.91	.812	20.62	.663	16.84
8	.995	25.27	.6875-28 UN-2A	.5000-28 UNEF-2A	.442	11.23	.812	20.62	.663	16.84
9	1.075	27.31	.7500-28 UN-2A	.5625-24 UNEF-2A	.500	12.70	.875	22.22	.720	18.29
10	1.140	28.95	.8125-28 UN-2A	.6250-24 UNEF-2A	.564	14.33	.938	23.82	.788	20.02
12	1.340	34.04	1.0000-28 UN-2A	.6875-24 UNEF-2A	.650	16.51	1.125	28.57	.970	24.64
14	1.390	35.31	1.0625-20 UN-2A	.9375-20 UNEF-2A	.805	20.45	1.188	30.18	1.020	25.91

ALTERNATE KEY POSITIONS

Pos.	A°	B°
A	150°	210°
B	75°	210°
C	95°	230°
D	140°	275°

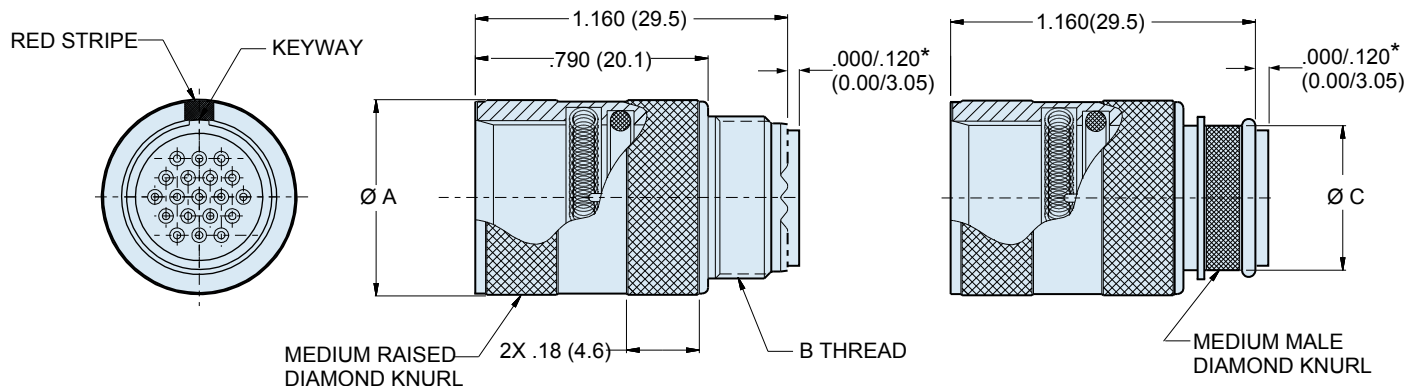
JAM NUT PANEL CUTOUT

Shell Size	A Flat		Ø B	
	In. ± .002	mm. ± 0.05	In. ± .005	mm. ± 0.13
5	.423	10.74	.448	11.38
6	.475	12.07	.510	12.95
7	.588	14.94	.635	16.13
8	.602	15.29	.635	16.13
9	.663	16.84	.698	17.73
10	.729	18.82	.760	19.30
12	.851	21.62	.885	22.48
14	.976	24.79	1.010	25.65

Dimensions in inches (millimeters) and are subject to change without notice.



**Series 804 Push-Pull Mighty Mouse
In-Line Receptacle Dimensions
804-004-01 and 804-003-01**



*Grommet protrudes for power/combo arrangements

Accessory Thread
804-004-01

Integral Band Platform
804-003-01

DIMENSIONS					
Shell Size	Ø A		B Threads	Ø C	
	In.	mm.		In.	mm.
5	.450	11.43	.2500-32 UNEF-2A	.246	6.25
6	.520	13.21	.3125-32 UNEF-2A	.286	7.26
7	.580	14.73	.4375-28 UNEF-2A	.390	9.91
8	.603	15.32	.5000-28 UNEF-2A	.442	11.23
9	.695	17.65	.5625-24 UNEF-2A	.500	12.70
10	.735	18.67	.6250-24 UNEF-2A	.564	14.33
12	.880	22.35	.6875-24 UNEF-2A	.650	16.51
14	1.010	25.65	.9375-20 UNEF-2A	.805	20.45

ALTERNATE KEY POSITIONS			
Pos.	A°	B°	
A	150°	210°	
B	75°	210°	
C	95°	230°	
D	140°	275°	

Dimensions in inches (millimeters) and are subject to change without notice.

**Series 804 Push-Pull Mighty Mouse
PCB or Solder Cup Receptacle Ordering Information**
804-005, 804-020



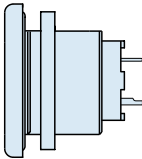
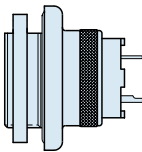
**Series 804 Printed
Circuit Board Receptacle**

Panel Mount Receptacles feature factory-installed non-removable contacts. Choose solder cup or printed circuit board terminals. Available in front or rear panel mount versions.

Water Immersion, Unmated

Specify **8040-005** connectors for applications where open face water immersion is not a requirement. For MIL-STD-810 Method 512G immersion requirements, specify **804-020** watertight connectors. These 804-020 connectors are specially sealed ("MOD-518") and are 100% tested to maintain a helium leak rate of 1×10^{-4} cc/second at one atmosphere pressure differential from -40C to +70C.

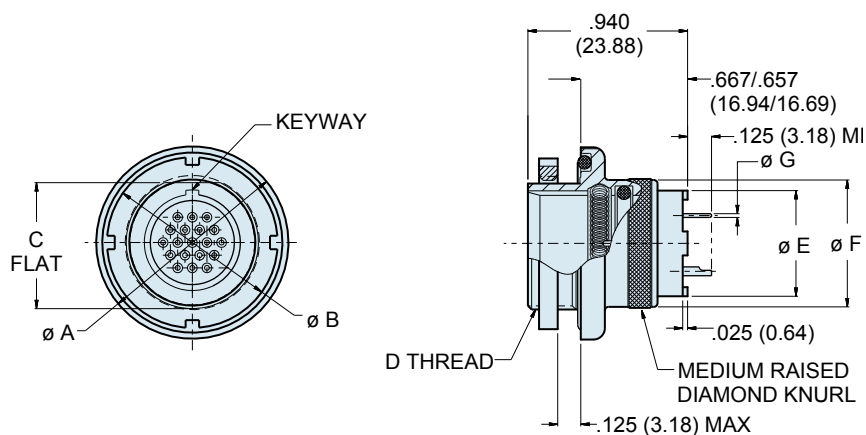
HOW TO ORDER SERIES 804 PRINTED CIRCUIT BOARD RECEPTACLES

Sample Part Number					
804-005	-07	NF	9-4	E	
Series	Shell Style	Shell Material / Finish	Shell Size- Insert Arrangement	Contact Type	Shell Key Position
<p>804-005 Receptacle for Solder Cup or PCB Termination, With Standard Epoxy Potting</p> <p>804-020 Receptacle for Solder Cup or PCB Termination, With Special "MOD-518" Sealing For Open Face (unmated) Water Immersion Requirements. 100% Leak Tested.</p>	 <p>- 00 Jam Nut, Front Panel</p>  <p>- 07 Jam Nut, Rear Panel</p>	<p>C Aluminum / Black Anodize (Non-Conductive) RoHS Compliant</p> <p>M Aluminum / Electroless Nickel RoHS Compliant</p> <p>NF Aluminum / Cadmium with Olive Drab Chromate</p> <p>ZN Aluminum / Zinc-Nickel with Olive Drab Chromate</p> <p>ZNU Aluminum / Zinc-Nickel with Black Chromate</p> <p>MT Aluminum / Nickel-PTFE RoHS Compliant</p> <p>Z1 Stainless Steel / Passivated RoHS Compliant</p>	<p>SEE CONTACT ARRANGEMENTS PAGE G-2</p>	<p>P Pin, PC Tail</p> <p>S Socket, PC Tail</p> <p>E Pin, Solder Cup</p> <p>F Socket, Solder Cup</p>	<p>Omit for Single Master Key</p> <p>A Pos. A (Normal)</p> <p>B Pos. B</p> <p>C Pos. C</p> <p>D Pos. D</p>

Dimensions in inches (millimeters) and are subject to change without notice.

Series 804 Push-Pull Mighty Mouse Rear Panel Jam Nut Receptacle Dimensions

804-005-07, 804-020-007



Rear Panel Jam Nut
804-005-07

DIMENSIONS

Shell Size	Ø A		Ø B		C Flat		D Threads	Ø E		Ø F		Ø G Tail Dia.
	In.	mm.	In.	mm.	In.	mm.		In.	mm.	In.	mm.	
5	.730	18.54	.562	14.27	.415	10.54	.4375-32 UN-2A	.275	6.98	.435	11.05	#23 .018/.022 (0.46/0.56)
6	.730	18.54	.625	15.87	.467	14.40	.5000-32 UN-2A	.330	8.38	.483	12.27	
7	.910	23.11	.750	19.05	.594	15.09	.6250-28 UN-2A	.432	10.97	.570	14.48	#20 .024/.028 (0.61/0.71)
8	.955	24.26	.750	19.05	.594	15.09	.6250-28 UN-2A	.493	12.52	.593	15.06	
9	1.000	25.40	.812	20.62	.655	16.64	.6875-28 UN-2A	.551	14.00	.685	17.40	#16 .060/.064 (1.52/1.63)
10	1.085	27.48	.875	22.22	.721	18.31	.7500-28 UN-2A	.620	15.75	.725	18.42	
12	1.190	30.23	1.000	25.40	.843	21.41	.8750-28 UN-2A	.703	17.86	.850	21.59	#12 .092/.096 (2.34/2.44)
14	1.325	33.66	1.125	28.57	.968	24.59	1.0000-28 UN-2A	.863	21.92	.973	24.71	

ALTERNATE KEY POSITIONS

Pos.	A°	B°
A	150°	210°
B	75°	210°
C	95°	230°
D	140°	275°
E	75°	275°
F	95°	210°

JAM NUT PANEL CUTOUT

Shell Size	A Flat		Ø B	
	In. ± .002	mm. ± 0.05	In. ± .005	mm. ± 0.13
5	.423	10.74	.448	11.38
6	.475	12.07	.510	12.95
7	.588	14.94	.635	16.13
8	.602	15.29	.635	16.13
9	.663	16.84	.698	17.73
10	.729	18.82	.760	19.30
12	.851	21.62	.885	22.48
14	.976	24.79	1.010	25.65

Dimensions in inches (millimeters) and are subject to change without notice.

© 2010 Glenair, Inc.

CAGE Code 06324

Printed in U.S.A.

GLENAIR, INC. • 1211 AIR WAY • GLENDALE, CA 91201-2497 • 818-247-6000 • FAX 818-500-9912

www.glenair.com

G-12

E-Mail: sales@glenair.com

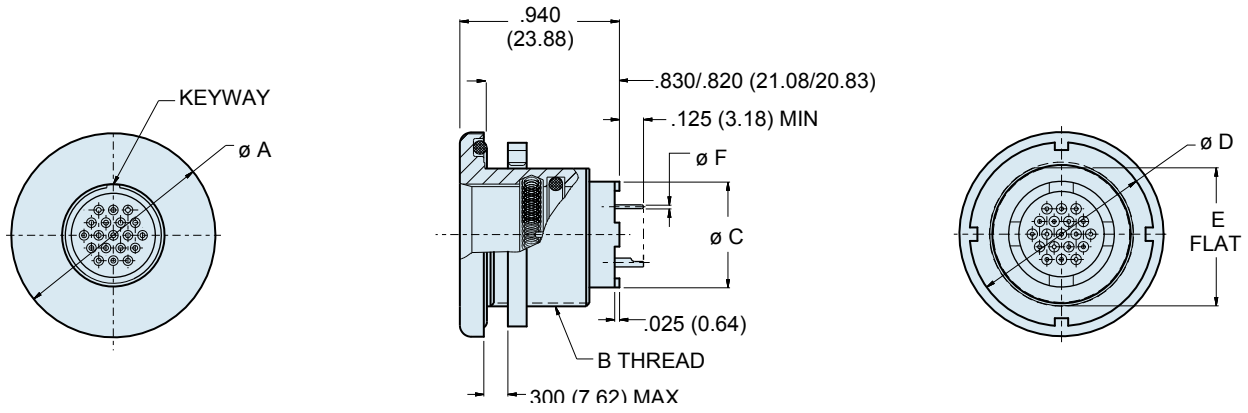
Rev. 17-MARCH-2010

Series 804 Push-Pull Mighty Mouse Front Panel Jam Nut Receptacle Dimensions

804-005-00, 804-020-00



Series 804



Front Panel Jam Nut
804-005-00

DIMENSIONS										
Shell Size	Ø A		B Threads	Ø C		Ø D		E Flat		Ø F Tail Dia.
	In.	mm.		In.	mm.	In.	mm.	In.	mm.	
5	.830	21.08	.5000-32 UN-2A	.275	6.98	.625	15.87	.470	11.94	#23 .018/.022 (0.46/0.56)
6	.885	22.48	.5625-28 UN-2A	.330	8.38	.688	17.47	.530	13.46	
7	.995	25.27	.6875-28 UN-2A	.432	10.97	.812	20.62	.663	16.84	#20 .024/.028 (0.61/0.71)
8	.995	25.27	.6875-28 UN-2A	.493	12.52	.812	20.62	.663	16.84	
9	1.075	27.31	.7500-28 UN-2A	.551	14.00	.875	22.22	.720	18.29	#16 .060/.064 (1.52/1.63)
10	1.140	28.95	.8125-28 UN-2A	.620	15.75	.938	23.82	.788	20.02	
12	1.340	34.04	1.0000-28 UN-2A	.703	17.86	1.125	28.57	.970	24.64	#12 .092/.096 (2.34/2.44)
14	1.390	35.31	1.0625-20 UN-2A	.863	21.92	1.188	30.18	1.020	25.91	

ALTERNATE KEY POSITIONS

Pos.	A°	B°
A	150°	210°
B	75°	210°
C	95°	230°
D	140°	275°
E	75°	275°
F	95°	210°

JAM NUT PANEL CUTOUT

Shell Size	A Flat		Ø B	
	In. ± .002	mm. ± 0.05	In. ± .005	mm. ± 0.13
5	.423	10.74	.448	11.38
6	.475	12.07	.510	12.95
7	.588	14.94	.635	16.13
8	.602	15.29	.635	16.13
9	.663	16.84	.698	17.73
10	.729	18.82	.760	19.30
12	.851	21.62	.885	22.48
14	.976	24.79	1.010	25.65

Dimensions in inches (millimeters) and are subject to change without notice.

Series 804 Push-Pull Mighty Mouse Panel Mount Plug Ordering Information

804-009, 804-020



**Series 804 Panel Mount Plug
(Style 07 shown)**

Panel Mount Plugs save space inside the box compared to Series 804 receptacles. Factory-installed non-removable contacts. Solder cup or printed circuit board terminals. Available in front or rear panel mount versions.

Ingress Protection, Unmated

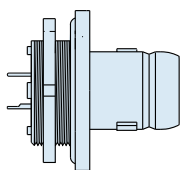
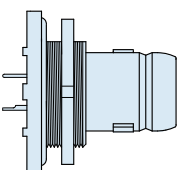
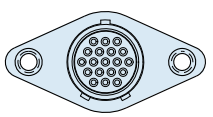
Specify **804-009** connectors for applications where open face water immersion is not a requirement. For IP67 ingress protection and MIL-STD-810 Method 512 immersion requirements, specify **804-021** watertight connectors certified to meet one atmosphere pressure differential in open face condition from -40° to +70°C.

"Push-Pull" Quick-Disconnect

Canted spring securely retains the mating plug.

HOW TO ORDER SERIES 804 PANEL MOUNT PLUGS

Sample Part Number

804-009	-07	NF	10-26	E	
Series	Shell Style	Shell Material / Finish	Shell Size- Insert Arrangement	Contact Type	Shell Key Position
804-009 Panel Mount Plug, Solder Cup or PCB Termination, With Standard Epoxy Potting	 - 00 Jam Nut, Front Panel	C Aluminum / Black Anodize (Non-Conductive) RoHS Compliant M Aluminum / Electroless Nickel RoHS Compliant	SEE CONTACT ARRANGEMENTS PAGE G-2	P Pin, PC Tail S Socket, PC Tail	Omit for Single Master Key A Pos. A (Normal)
804-021 Panel Mount Plug, Solder Cup or PCB Termination, With Resilient Silicone Potting For Watertight Seal from -40° to +70°C (15 PSI Pressure Differential)	 - 07 Jam Nut, Rear Panel  - 02 Flange Mount, Rear Panel	NF Aluminum / Cadmium with Olive Drab Chromate ZN Aluminum / Zinc-Nickel with Olive Drab Chromate ZNU Aluminum / Zinc-Nickel with Black Chromate MT Aluminum / Nickel-PTFE RoHS Compliant Z1 Stainless Steel / Passivated RoHS Compliant		E Pin, Solder Cup F Socket, Solder Cup	B Pos. B C Pos. C D Pos. D

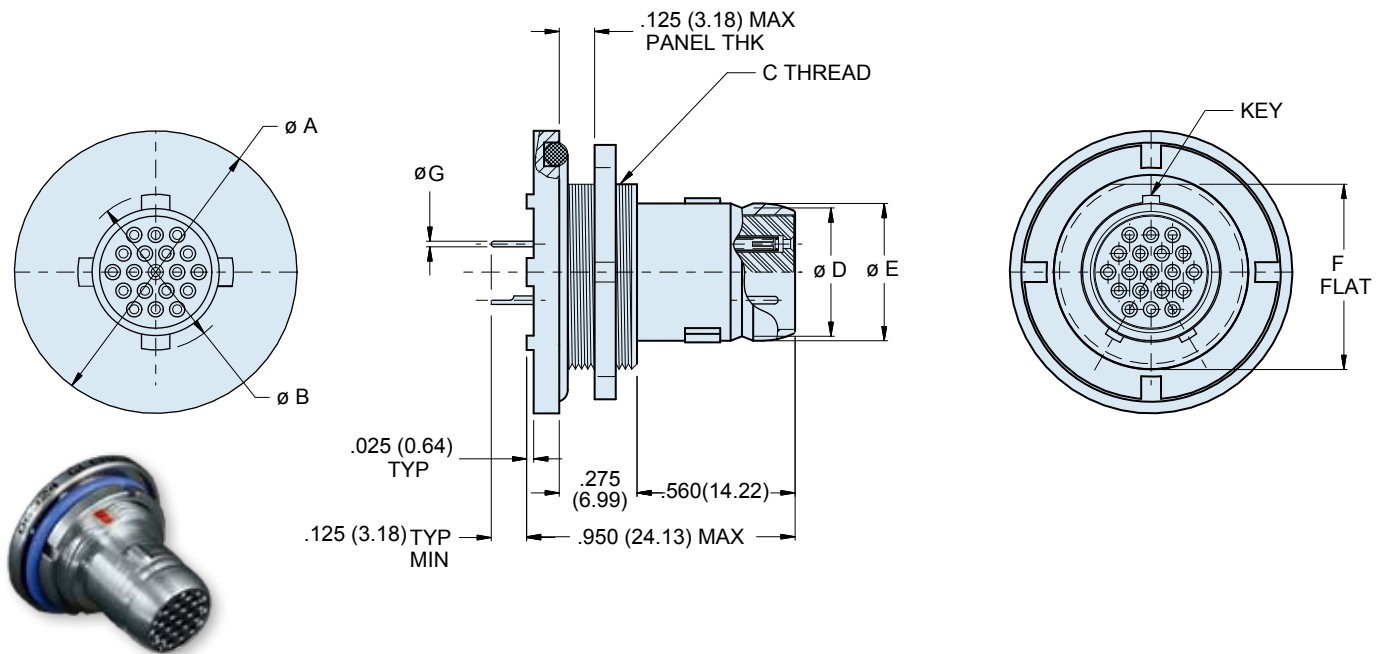
Dimensions in inches (millimeters) and are subject to change without notice.

Series 804 Push-Pull Mighty Mouse Jam Nut Panel Mount Plug Dimensions

804-009-07, 804-021-07



Series 804



DIMENSIONS												
Shell Size	Ø A		Ø B		C Threads	Ø D		Ø E		F Flat		Ø G Tail Dia.
	In.	mm.	In.	mm.		In.	mm.	In.	mm.	In.	mm.	
5	.790	20.07	.244	6.20	.4375-32 UN-2A	.219	5.56	.250	6.35	.415	10.54	#23 .018/.022 (0.46/0.56)
6	.830	21.08	.330	8.38	.5000-32 UN-2A	.282	7.16	.313	7.95	.467	11.86	
7	.910	23.11	.432	10.97	.6250-28 UN-2A	.351	8.92	.383	9.73	.594	15.09	#20 .024/.028 (0.61/0.71)
8	.955	24.26	.493	12.52	.6250-28 UN-2A	.398	10.11	.429	10.90	.594	15.09	
9	1.000	25.40	.551	14.00	.6875-28 UN-2A	.454	11.53	.486	12.34	.655	16.64	#16 .060/.064 (1.52/1.63)
10	1.085	27.56	.620	15.75	.7500-28 UN-2A	.529	13.44	.563	14.30	.721	18.31	
12	1.180	29.97	.703	17.86	.8750-28 UN-2A	.646	16.41	.676	17.17	.843	21.41	#12 .092/.096 (2.34/2.44)
14	1.325	33.66	.863	21.92	1.0000-28 UN-2A	.768	19.51	.800	20.32	.968	24.59	

JAM NUT PANEL CUTOUT				
Shell Size	A Flat		Ø B	
	In.	mm.	In.	mm.
	± .002	± 0.05	± .005	± 0.13
5	.423	10.74	.448	11.38
6	.475	12.07	.510	12.95
7	.588	14.94	.635	16.13
8	.602	15.29	.635	16.13
9	.663	16.84	.698	17.73
10	.729	18.82	.760	19.30
12	.851	21.62	.885	22.48
14	.976	24.79	1.010	25.65

SERIES 804 PLUG KEY POSITIONS			
	A°	B°	
A	150°	210°	
B	75°	210°	
C	95°	230°	
D	140°	275°	

Dimensions in inches (millimeters) and are subject to change without notice.

© 2010 Glenair, Inc.

CAGE Code 06324

Printed in U.S.A.

GLENAIR, INC. • 1211 AIR WAY • GLENDALE, CA 91201-2497 • 818-247-6000 • FAX 818-500-9912

www.glenair.com

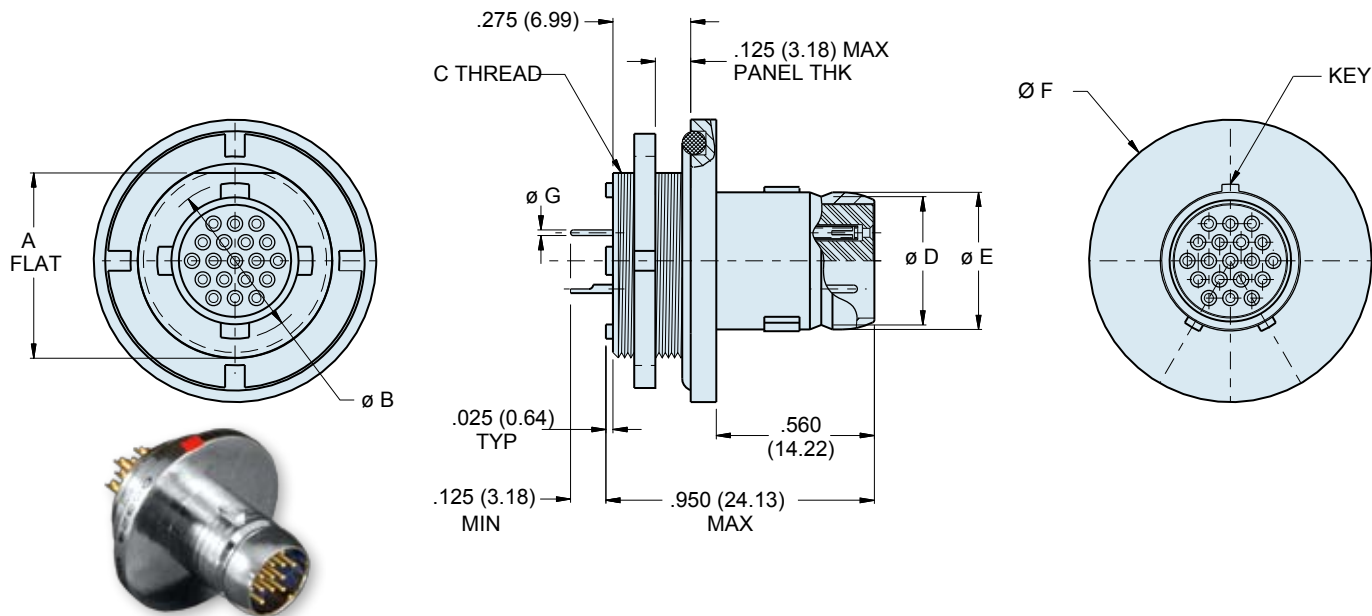
G-15

E-Mail: sales@glenair.com

Rev. 01-JANUARY-2010

Series 804 Push-Pull Mighty Mouse Jam Nut Front Panel Mount Plug Dimensions

804-009-00, 804-021-00



DIMENSIONS

Shell Size	A Flat		Ø B		C Threads	Ø D		Ø E		Ø F		Ø G Tail Dia.
	In.	mm.	In.	mm.		In.	mm.	In.	mm.	In.	mm.	
5	.415	10.54	.244	6.20	.4375-32 UN-2A	.219	5.56	.250	6.35	.790	20.07	#23 .018/.022 (0.46/0.56)
6	.467	11.86	.330	8.38	.5000-32 UN-2A	.282	7.16	.313	7.95	.830	21.08	
7	.594	15.09	.432	10.97	.6250-28 UN-2A	.351	8.92	.383	9.73	.910	23.11	#20 .024/.028 (0.61/0.71)
8	.594	15.09	.493	12.52	.6250-28 UN-2A	.398	10.11	.429	10.90	.955	24.26	
9	.655	16.64	.551	14.00	.6875-28 UN-2A	.454	11.53	.486	12.34	1.000	25.40	#16 .060/.064 (1.52/1.63)
10	.721	18.31	.620	15.75	.7500-28 UN-2A	.529	13.44	.563	14.30	1.085	27.56	
12	.843	21.41	.703	17.86	.8750-28 UN-2A	.646	16.41	.676	17.17	1.180	29.97	#12 .092/.096 (2.34/2.44)
14	.968	24.59	.863	21.92	1.0000-28 UN-2A	.768	19.51	.800	20.32	1.325	33.66	

JAM NUT PANEL CUTOUT

Shell Size	A Flat		Ø B	
	In. ± .002	mm. ± 0.05	In. ± .005	mm. ± 0.13
5	.423	10.74	.448	11.38
6	.475	12.07	.510	12.95
7	.588	14.94	.635	16.13
8	.602	15.29	.635	16.13
9	.663	16.84	.698	17.73
10	.729	18.82	.760	19.30
12	.851	21.62	.885	22.48
14	.976	24.79	1.010	25.65

SERIES 804 PLUG KEY POSITIONS

	A°	B°
A	150°	210°
B	75°	210°
C	95°	230°
D	140°	275°
E	75°	275°
F	95°	210°

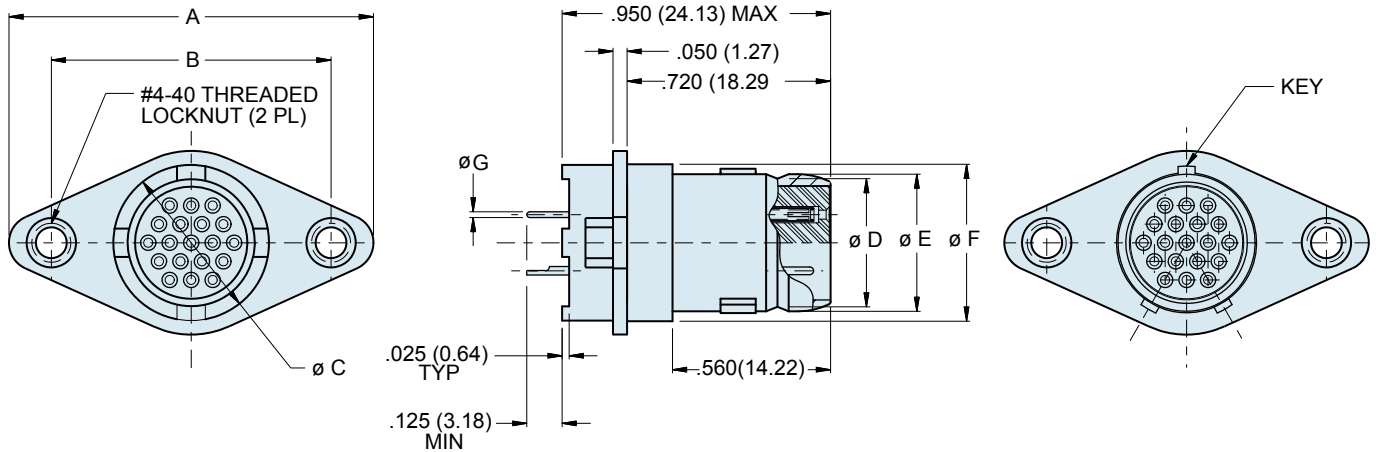
Dimensions in inches (millimeters) and are subject to change without notice.

Series 804 Push-Pull Mighty Mouse Flanged Panel Mount Plug Dimensions

804-009-02, 804-021-02



Series 804



DIMENSIONS

Shell Size	A		B		ø C		ø D		ø E		ø F		ø G Tail Dia.
	In.	mm.	In.	mm.	In.	mm.	In.	mm.	In.	mm.	In.	mm.	
			±.005	±0.13									
5	1.055	26.80	.755	19.18	.244	6.20	.219	5.56	.250	6.35	.320	8.13	#23
6	1.120	28.45	.820	20.83	.330	8.38	.282	7.16	.313	7.95	.385	9.78	.018/.022 (0.46/0.56)
7	1.185	30.10	.885	22.48	.432	10.97	.351	8.92	.383	9.73	.450	11.43	#20
8	1.230	31.24	.930	23.62	.493	12.52	.398	10.11	.429	10.90	.495	12.57	.024/.028 (0.61/0.71)
9	1.290	32.77	.990	25.15	.551	14.00	.454	11.53	.486	12.34	.555	14.10	#16
10	1.360	34.54	1.060	26.92	.620	15.75	.529	13.44	.563	14.30	.625	15.88	.060/.064 (1.52/1.63)
12	1.485	37.72	1.185	30.10	.703	17.86	.646	16.41	.676	17.17	.750	19.05	#12
14	1.600	40.64	1.300	33.02	.863	21.92	.768	19.51	.800	20.32	.865	21.97	.092/.096 (2.34/2.44)

SERIES 804 PLUG KEY POSITIONS



	A°	B°
A	150°	210°
B	75°	210°
C	95°	230°
D	140°	275°

Dimensions in inches (millimeters) and are subject to change without notice.

Series 804 Push-Pull Mighty Mouse Hermetic Receptacle Ordering Information

804-006



**Series 804 Hermetic
Jam Nut Mount**

Series 804 Hermetic Receptacles feature 304L stainless steel shells, fused vitreous glass insulators and gold-plated Alloy 52 iron alloy contacts.

1×10^{-7} cc/second maximum helium leak rate when tested at 1 atmosphere vacuum.

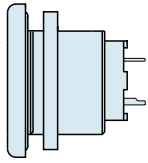
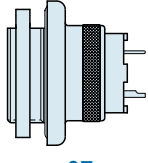
Two Shell Styles are available:
Style 00 for front panel mounting
Style 07 for rear panel mounting.

"Push-Pull" Quick-Disconnect

Canted coil spring securely retains mating plug connector and provides low shell-to-shell resistance for excellent EMI shielding. O-ring inside receptacle shell provides water-tight seal when mated.

HOW TO ORDER

Sample Part Number

804-006	-07	Z1	9-19	P	A
Series	Shell Style	Shell Material / Finish	Shell Size/Insert	Contact Type	Shell Key Position
804-006 Hermetic Receptacle with Printed Circuit Board Contacts or Solder Cup Contacts	 -00 Jam Nut, Front Panel	Z1 Stainless Steel / Passivated ZL Stainless Steel/ Nickel Plated	SEE CONTACT ARRANGEMENTS PAGE G-2	P Pin, Solder Cup C Pin, PC Tail S Socket, Solder Cup D Socket, PC Tail	Omit for Single Master Key A Pos. A (Normal) B Pos. B C Pos. C D Pos. D
	 -07 Jam Nut, Rear Panel				

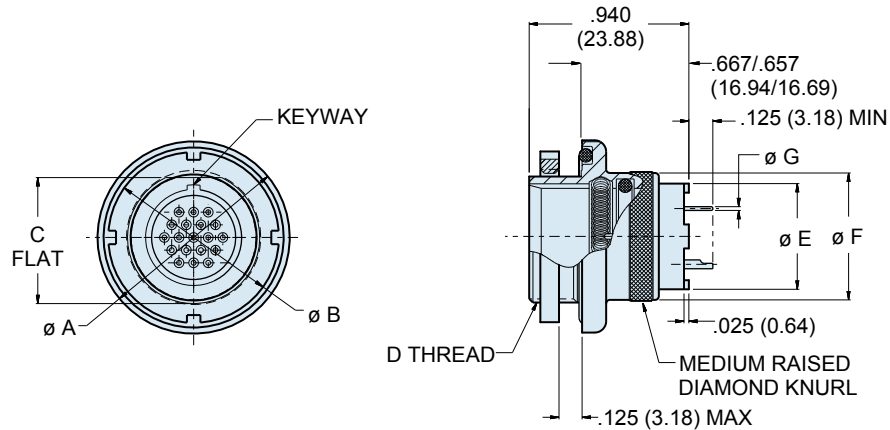
Dimensions in inches (millimeters) and are subject to change without notice.

Series 804 Push-Pull Mighty Mouse Rear Panel Jam Nut Hermetic Receptacle Dimensions

804-006-07



Series 804



Rear Panel Jam Nut
804-006-07

DIMENSIONS												
Shell Size	Ø A		Ø B		C Flat		D Threads	Ø E		Ø F		Ø G Tail Dia.
	In.	mm.	In.	mm.	In.	mm.		In.	mm.	In.	mm.	
5	.790	20.07	.562	14.27	.415	10.54	.4375-32 UN-2A	.244	6.20	.450	11.43	#23 .018/.022 (0.46/0.56)
6	.830	21.08	.625	15.87	.467	14.40	.5000-32 UN-2A	.330	8.38	.520	13.21	
7	.910	23.11	.750	19.05	.594	15.09	.6250-28 UN-2A	.432	10.97	.580	14.73	#20 .024/.028 (0.61/0.71)
8	.955	24.26	.750	19.05	.594	15.09	.6250-28 UN-2A	.493	12.52	.603	15.32	
9	1.000	25.40	.812	20.62	.655	16.64	.6875-28 UN-2A	.551	14.00	.695	17.65	#16 .060/.064 (1.52/1.63)
10	1.085	27.48	.875	22.22	.721	18.31	.7500-28 UN-2A	.620	15.75	.735	18.67	
12	1.180	29.97	1.000	25.40	.843	21.41	.8750-28 UN-2A	.703	17.86	.880	22.35	#12 .092/.096 (2.34/2.44)
14	1.325	33.66	1.125	28.57	.968	24.59	1.0000-28 UN-2A	.863	21.92	1.010	25.65	

ALTERNATE KEY POSITIONS

Pos.	A°	B°
A	150°	210°
B	75°	210°
C	95°	230°
D	140°	275°

JAM NUT PANEL CUTOUT

Shell Size	A Flat		Ø B	
	In. ± .002	mm. ± 0.05	In. ± .005	mm. ± 0.13
5	.423	10.74	.448	11.38
6	.475	12.07	.510	12.95
7	.588	14.94	.635	16.13
8	.602	15.29	.635	16.13
9	.663	16.84	.698	17.73
10	.729	18.82	.760	19.30
12	.851	21.62	.885	22.48
14	.976	24.79	1.010	25.65

Dimensions in inches (millimeters) and are subject to change without notice.

© 2010 Glenair, Inc.

CAGE Code 06324

Printed in U.S.A.

GLENAIR, INC. • 1211 AIR WAY • GLENDALE, CA 91201-2497 • 818-247-6000 • FAX 818-500-9912

www.glenair.com

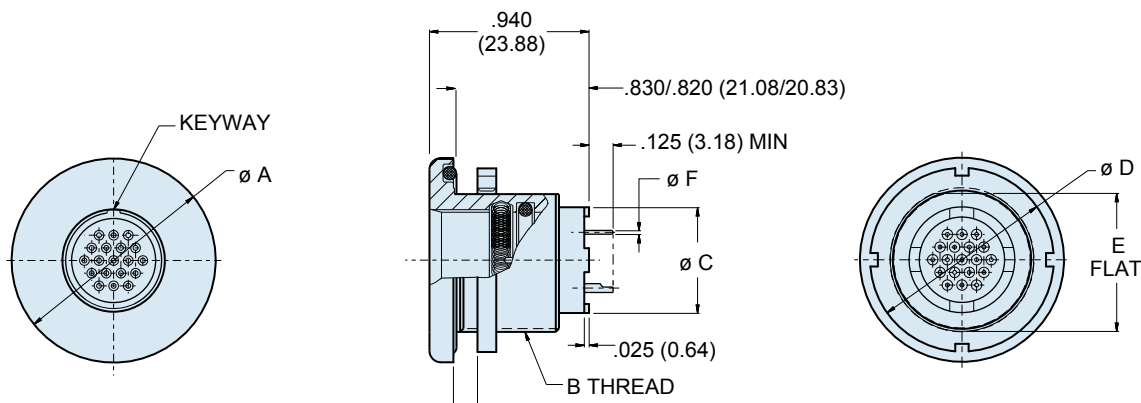
G-19

E-Mail: sales@glenair.com

Rev. 01-JANUARY-2010



**Series 804 Push-Pull Mighty Mouse
Front Panel Jam Nut Hermetic Receptacle Dimensions
804-006-00**



**Front Panel Jam Nut
804-006-00**

DIMENSIONS										
Shell Size	Ø A		B Threads	Ø C		Ø D		E Flat		Ø F Tail Dia.
	In.	mm.		In.	mm.	In.	mm.	In.	mm.	
5	.830	21.08	.5000-32 UN-2A	.244	6.20	.625	15.87	.470	11.94	#23 .018/.022 (0.46/0.56)
6	.885	22.48	.6250-28 UN-2A	.330	8.38	.688	17.47	.530	13.46	
7	.995	25.27	.6875-28 UN-2A	.432	10.97	.812	20.62	.663	16.84	#20 .024/.028 (0.61/0.71)
8	.995	25.27	.6875-28 UN-2A	.493	12.52	.812	20.62	.663	16.84	
9	1.075	27.31	.7500-28 UN-2A	.551	14.00	.875	22.22	.720	18.29	#16 .060/.064 (1.52/1.63)
10	1.140	28.95	.8125-28 UN-2A	.620	15.75	.938	23.82	.788	20.02	
12	1.340	34.04	1.0000-28 UN-2A	.703	17.86	1.125	28.57	.970	24.64	#12 .092/.096 (2.34/2.44)
14	1.390	35.31	1.0625-20 UN-2A	.863	21.92	1.188	30.18	1.020	25.91	

G

ALTERNATE KEY POSITIONS			
Pos.	A°	B°	
A	150°	210°	
B	75°	210°	
C	95°	230°	
D	140°	275°	

JAM NUT PANEL CUTOUT				
Shell Size	A Flat		Ø B	
	In. ± .002	mm. ± 0.05	In. ± .005	mm. ± 0.13
5	.423	10.74	.448	11.38
6	.475	12.07	.510	12.95
7	.588	14.94	.635	16.13
8	.602	15.29	.635	16.13
9	.663	16.84	.698	17.73
10	.729	18.82	.760	19.30
12	.851	21.62	.885	22.48
14	.976	24.79	1.010	25.65

Dimensions in inches (millimeters) and are subject to change without notice.

Series 804 Push-Pull Mighty Mouse Overmolded ASAP Cordset Ordering Information

804-015



Overmolded Cordset

Glenair's ASAP Mighty Mouse Overmolded Cordsets offer environmental protection and excellent cold temperature flexibility. These cables are 100% tested and ready to use. Standard overmolded cables feature low smoke zero halogen polyurethane jackets.

Tired of set-up charges and factory minimums? Glenair's Mighty Mouse ASAP cordsets have no minimum order quantity and no lot charges.

Abrasion-Resistant Polyurethane Jacket provides cold temperature flexibility and high strength. Low smoke/zero halogen material meets requirements for low toxicity.

90% Tinned Copper Braid is terminated directly to connector with stainless steel **BAND-IT®** strap.

Watertight Overmold provides strain relief and protection.

Series 804 Harsh Environment Shielded Cordsets

These overmolded cordsets withstand abrasion and chemical exposure. Low smoke zero halogen jacket reduces the amount of toxic and corrosive gasses emitted during combustion. Cable construction features silver coated stranded conductors with TFE insulation, tinned copper braid shield and extruded polyurethane jacket. Choose single-ended pigtails or double-ended "back-to-back" versions. Braid shield is attached directly to connector with **BAND-IT®** straps. Semi-rigid polyamide overmold provides strain relief and environmental sealing.

Series 801 cordsets are now available with size #20HD, #16 and #12 contacts. Ordering information is found on the following pages.

HARSH ENVIRONMENT CORDSET SPECIFICATIONS

Cable Jacket Material	Thermoplastic Polyurethane, Black, Low-Smoke, Zero-Halogen
Cable Shield	Tin-Coated Copper Braid, 90% Minimum Coverage
Conductors	Silver Coated Stranded Wire, TFE Insulated, Per M22759/11
BAND-IT® Shield Termination Band	Stainless Steel
Current Rating	#23 5 Amps, #20HD 7.5 Amps, #16 13 Amps, #12 23 Amps
Test Voltage (Dielectric Withstanding Voltage)	#23 500 VAC, #20HD 750 VAC, #16 and #12 1800 VAC Sea Level
Insulation Resistance	200 megohms minimum
Operating Temperature	-30° C. to +105° C.
Solvent Resistance, Polyamide Overmold	Excellent Resistance to Most Solvents, Fuels, and Oils; Poor Resistance to Strong Acids and Bipolar Solvents (Alcohol)
Shielding Effectiveness	50 dB minimum from 100MHz to 1000MHz.
Cable jacket Flammability and Toxicity	Toxicity Index 3.9 per NES 713 Oxygen Index 28% per ASTM D-2863 Smoke Index 24 per NES 711

Dimensions in inches (millimeters) and are subject to change without notice.

SERIES 804 CORDSETS WITH SIZE #23 CONTACTS

Sample Part Number								
804-015	-A	C	2	M	7-10	P		-72
Series	End A Connector	End B Connector	Wire Size	Shell Material / Finish	Insert Arr.	Protective Cover	Shell Key Pos.	Length
804-015 Overmolded Cordset, Shielded, with Low Smoke/Zero Halogen Polyurethane Jacket, Size #23 Contacts	- A Plug, with Male Pin Contacts	A Plug, with Male Pin Contacts	2 #22 AWG	M Aluminum / Electroless Nickel	5-3	P Metal Protective Covers Included	Omit for Single Master Key	Overall Length In Inches 12 Inch Min.
	- B Plug, with Female Socket Contacts	B Plug, with Female Socket Contacts	4 #24 AWG	NF Aluminum / Cadmium with Olive Drab Chromate	6-4 6-6 6-7 7-10	N No Covers Supplied	A Pos. A (Normal)	
	- C Receptacle, with Male Pin Contacts	C Receptacle, with Male Pin Contacts		ZNU Aluminum / Zinc-Nickel with Black Chromate	8-13 9-19 10-26 12-37 14-55		B Pos. B	
	- D Receptacle, with Female Socket Contacts	D Receptacle, with Female Socket Contacts		MT Aluminum / Nickel-PTFE			C Pos. C	
		N No Connector (Single-Ended)		Z1 Stainless Steel / Passivated			D Pos. D	

SERIES 804 CORDSETS WITH SIZE #20HD CONTACTS

Sample Part Number								
804-022	-A	C	0	M	8-28	P		-72
Series	End A Connector	End B Connector	Wire Size	Shell Material / Finish	Insert Arr.	Protective Cover	Shell Key Pos.	Length
804-022 Overmolded Cordset, Shielded, with Low Smoke/Zero Halogen Polyurethane Jacket, Size #20HD Contacts	- A Plug, with Male Pin Contacts	A Plug, with Male Pin Contacts	0 #20 AWG	M Aluminum / Electroless Nickel	6-23	P Metal Protective Covers Included	Omit for Single Master Key	Overall Length In Inches 12 Inch Min.
	- B Plug, with Female Socket Contacts	B Plug, with Female Socket Contacts	2 #22 AWG	NF Aluminum / Cadmium with Olive Drab Chromate	7-25 8-28 9-210	N No Covers Supplied	A Pos. A (Normal)	
	- C Receptacle, with Male Pin Contacts	C Receptacle, with Male Pin Contacts		ZNU Aluminum / Zinc-Nickel with Black Chromate	12-220 14-235		B Pos. B	
	- D Receptacle, with Female Socket Contacts	D Receptacle, with Female Socket Contacts		MT Aluminum / Nickel-PTFE			C Pos. C	
		N No Connector (Single-Ended)		Z1 Stainless Steel / Passivated			D Pos. D	

Dimensions in inches (millimeters) and are subject to change without notice.

**Series 804 Push-Pull Mighty Mouse
Overmolded ASAP Cordset Ordering Information**
804-018 and 804-019



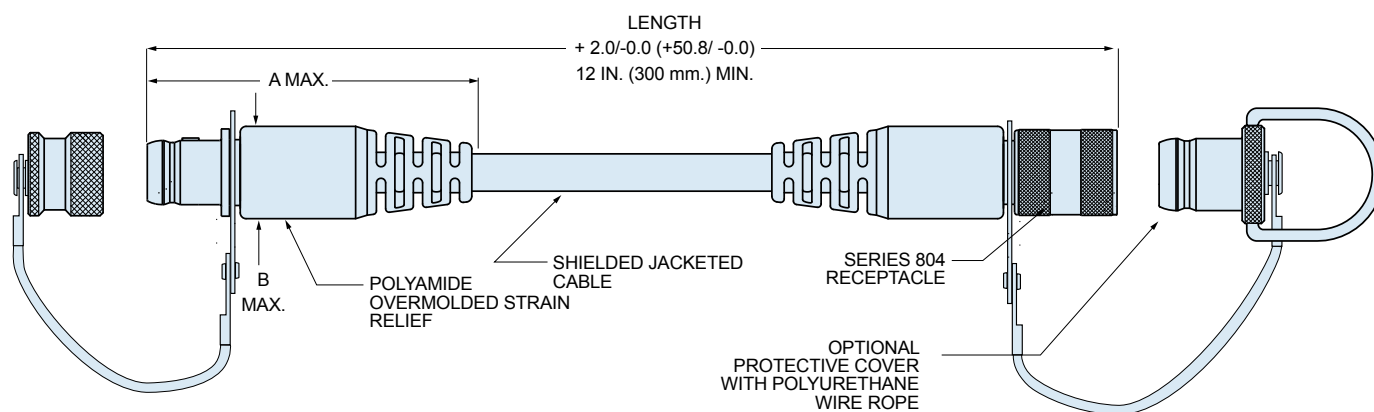
SERIES 804 CORDSETS WITH SIZE #16 CONTACTS								
Sample Part Number								
804-018	-A	C	6	M	9-4	P		-72
Series	End A Connector	End B Connector	Wire Size	Shell Material / Finish	Insert Arr.	Protective Cover	Shell Key Pos.	Length
804-018 Overmolded Cordset, Shielded, with Low Smoke/ Zero Halogen Polyurethane Jacket, Size #16 Contacts	-A Plug, with Male Pin Contacts	A Plug, with Male Pin Contacts	6 #16 AWG	M Aluminum / Electroless Nickel	6-1 8-2 9-4	P Metal Protective Covers Included	Omit for Single Master Key	Overall Length In Inches 12 Inch Min.
	-B Plug, with Female Socket Contacts	B Plug, with Female Socket Contacts	8 #18 AWG	NF Aluminum / Cadmium with Olive Drab Chromate	10-5 12-7 14-12	N No Covers Supplied	A Pos. A (Normal)	
	-C Receptacle, with Male Pin Contacts	C Receptacle, with Male Pin Contacts		ZNU Aluminum / Zinc-Nickel with Black Chromate			B Pos. B	
	-D Receptacle, with Female Socket Contacts	D Receptacle, with Female Socket Contacts		MT Aluminum / Nickel-PTFE			C Pos. C	
		N No Connector (Single-Ended)		Z1 Stainless Steel / Passivated			D Pos. D	

SERIES 804 CORDSETS WITH SIZE #12 CONTACTS								
Sample Part Number								
804-019	-A	C	2	M	10-2	N		-72
Series	End A Connector	End B Connector	Wire Size	Shell Material / Finish	Insert Arr.	Protective Cover	Shell Key Pos.	Length
804-019 Overmolded Cordset, Shielded, with Low Smoke/ Zero Halogen Polyurethane Jacket, Size #12 Contacts	-A Plug, with Male Pin Contacts	A Plug, with Male Pin Contacts	2 #12 AWG	M Aluminum / Electroless Nickel	7-1 10-2 12-2	P Metal Protective Covers Included	Omit for Single Master Key	Overall Length In Inches 12 Inch Min.
	-B Plug, with Female Socket Contacts	B Plug, with Female Socket Contacts	4 #14 AWG	NF Aluminum / Cadmium with Olive Drab Chromate	12-3 14-5	N No Covers Supplied	A Pos. A (Normal)	
	-C Receptacle, with Male Pin Contacts	C Receptacle, with Male Pin Contacts		ZNU Aluminum / Zinc-Nickel with Black Chromate			B Pos. B	
	-D Receptacle, with Female Socket Contacts	D Receptacle, with Female Socket Contacts		MT Aluminum / Nickel-PTFE			C Pos. C	
		N No Connector (Single-Ended)		Z1 Stainless Steel / Passivated			D Pos. D	

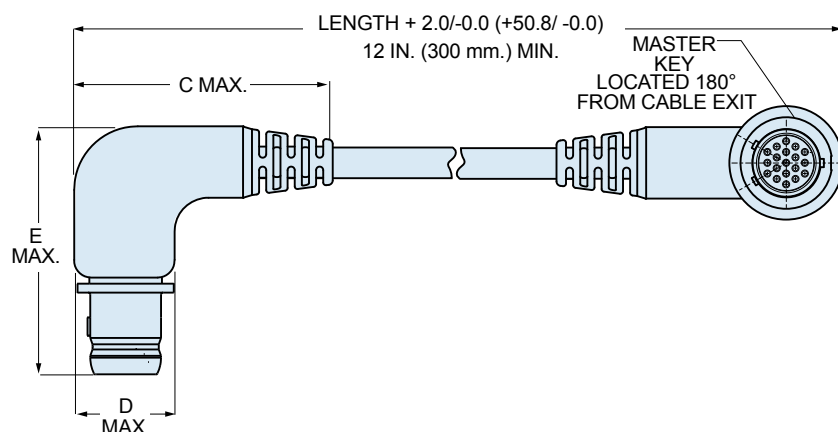
Dimensions in inches (millimeters) and are subject to change without notice.

Series 804 Push-Pull Mighty Mouse Overmolded ASAP Cordset Dimensions

804-015, 804-018, 804-019



RIGHT ANGLE CORDSETS



How To Order Right Angle Cordsets

Insert the letter "R" after the End A or End B Connector letter designator.

Example

Straight cable 804-015-AA4M6-4PN-48
Right Angle 804-015-ARAR4M6-4PN-48

DIMENSIONS

Shell Size	A Max.		B Max.		C Max.		D Max.		E Max.	
	In.	mm.	In.	mm.	In.	mm.	In.	mm.	In.	mm.
5	2.3	55.9	0.6	15.2	1.5	38.1	0.6	15.2	2.0	48.3
6	2.3	55.9	0.6	15.2	1.5	38.1	0.6	15.2	2.0	48.3
7	2.4	55.9	0.7	17.8	1.5	38.1	0.7	17.8	2.2	53.3
8	2.5	58.4	0.8	19.0	1.6	40.6	0.8	19.1	2.3	55.9
9	2.7	66.0	0.9	21.6	1.9	48.3	0.9	21.6	2.6	61.0
10	2.7	66.0	0.9	21.6	1.9	48.3	0.9	21.6	2.6	61.0
12	3.1	73.7	1.1	27.9	2.2	55.9	1.1	27.9	3.0	73.7
14	3.4	81.3	1.3	33.0	2.5	63.5	1.3	33.0	3.5	83.8

Dimensions in inches (millimeters) and are subject to change without notice.

Series 804 Push-Pull Mighty Mouse Protective Cover Ordering Information

667-202 and 809-198



Series 804



807-198 Plug Cover

See next page for ordering info

Protect Connectors From Damage – Machined aluminum covers prevent ingress of contamination and water.

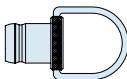
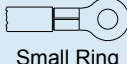
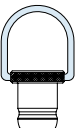
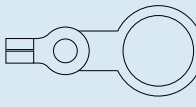
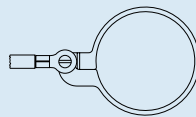
Stainless Steel Fittings and Rings – Choose small diameter eye fittings for panel attachment. Larger rings fit under the jam nut or over cable jackets. Split rings can be installed on fully assembled cables.

Polyurethane-Coated SST Wire Rope offers high strength, excellent abrasion resistance and good flexibility. Or, choose Teflon® jacket for high temperature exposure.

Braided Nylon Rope provides excellent flexibility and good abrasion resistance, and can be ordered with slip knot fittings for easy installation on any size cable.

HOW TO ORDER 667-202 RECEPTACLE COVERS

Sample Part Number

667-202	M	9	H	6	-14	R	
Series	Shell Material / Finish	Shell Size	Attachment Type	Attachment Length in Inches	Ring Type and Dia. Code	Pull Ring Option	
 <p>667-202 Protective Cover for use with Receptacle Connectors</p>	<p>C Aluminum / Black Anodize (Non-Conductive) RoHS Compliant</p> <p>M Aluminum / Electroless Nickel RoHS Compliant</p> <p>NF Aluminum / Cadmium with Olive Drab Chromate</p> <p>ZN Aluminum / Zinc-Nickel with Olive Drab Chromate</p> <p>ZNU Aluminum / Zinc-Nickel with Black Chromate</p> <p>MT Aluminum / Nickel-PTFE RoHS Compliant</p> <p>Z1 Stainless Steel / Passivated RoHS Compliant</p>	<p>5</p> <p>6</p> <p>7</p> <p>8</p> <p>9</p> <p>10</p> <p>12</p> <p>14</p>	<p>G Nylon Rope</p> <p>H SST Wire Rope, Teflon® Jacket</p> <p>N No Attachment</p> <p>S SST Sash Chain</p> <p>SK Nylon Rope With Slip Knot</p> <p>T SST Wire Rope, No Jacket</p> <p>U SST Wire Rope, Polyurethane Jacket</p> <p>"SST" = Stainless Steel</p>	<p>Omit for attachment Type N (No Attachment)</p> <p>Example</p> <p>"-6" equals six inch length</p>	<p>Omit for attachment Types N (No Attachment) and SK (Slip Knot)</p>	<p>Omit for None</p>	
					 <p>Small Ring</p>	<p>-01 – .126 (3.20) I.D.</p> <p>-02 – .145 (3.68) I.D.</p> <p>-04 – .188 (4.78) I.D.</p> <p>-06 – .197 (5.00) I.D.</p>	<p>R Supplied With Pull Ring</p> 
					 <p>Large Ring</p>	<p>-14 – .385 (9.78) I.D.</p> <p>-15 – .445 (11.30) I.D.</p> <p>-16 – .570 (14.48) I.D.</p> <p>-17 – .635 (16.13) I.D.</p> <p>-18 – .695 (17.65) I.D.</p> <p>-19 – .885 (22.48) I.D.</p> <p>-20 – 1.070 (27.17) I.D.</p> <p>-21 – 1.135 (28.83) I.D.</p>	
					 <p>Split Ring</p>	<p>-50 – .420 (10.67) I.D.</p> <p>-52 – .480 (12.19) I.D.</p> <p>-54 – .635 (16.13) I.D.</p> <p>-56 – .745 (18.92) I.D.</p> <p>-58 – .885 (22.48) I.D.</p> <p>-60 – 1.010 (25.65) I.D.</p> <p>-64 – 1.125 (28.58) I.D.</p> <p>-68 – 1.345 (34.16) I.D.</p>	

Dimensions in inches (millimeters) and are subject to change without notice.

© 2010 Glenair, Inc.

CAGE Code 06324

Printed in U.S.A.

GLENAIR, INC. • 1211 AIR WAY • GLENDALE, CA 91201-2497 • 818-247-6000 • FAX 818-500-9912

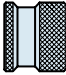
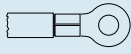
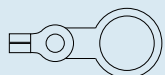

www.glenair.com

G-25

E-Mail: sales@glenair.com

Rev. 01-JANUARY-2010

HOW TO ORDER 809-198 PLUG COVERS

Sample Part Number									
809-198	M	12	H	6	-14				
Series	Shell Material / Finish	Shell Size	Attachment Type	Attachment Length in Inches	Ring Type and Dia. Code	Shell Key Position			
 <p>809-198 Protective Cover for use with Plug Connectors</p>	C Aluminum / Black Anodize (Non-Conductive) RoHS Compliant	5 6 7 8 9 10 12 14	G Nylon Rope	Omit for attachment Type N (No Attachment) Example "-6" equals six inch length	Omit for attachment Types N (No Attachment) and SK (Slip Knot)		Omit for Single Master Key A Pos. A (Normal) B Pos. B C Pos. C D Pos. D		
	M Aluminum / Electroless Nickel RoHS Compliant	H SST Wire Rope, Teflon® Jacket	N No Attachment		S SST Sash Chain	 <p>Small Ring</p>		-01 - .126 (3.20) I.D. -02 - .145 (3.68) I.D. -04 - .188 (4.78) I.D. -06 - .197 (5.00) I.D.	
	NF Aluminum / Cadmium with Olive Drab Chromate	SK Nylon Rope With Slip Knot	T SST Wire Rope, No Jacket		T SST Wire Rope, No Jacket			 <p>Large Ring</p>	-08 - .510 (13.0) I.D. -10 - .766 (19.4) I.D. -12 - 1.015 (25.8) I.D. -14 - .385 (9.78) I.D. -15 - .445 (11.30) I.D. -16 - .570 (14.48) I.D. -17 - .635 (16.13) I.D. -18 - .695 (17.65) I.D. -19 - .885 (22.48) I.D. -20 - 1.070 (27.17) I.D. -21 - 1.135 (28.83) I.D. -25 - .820 (20.8) I.D.
	ZN Aluminum / Zinc- Nickel with Olive Drab Chromate	U SST Wire Rope, Polyurethane Jacket	U SST Wire Rope, Polyurethane Jacket		U SST Wire Rope, Polyurethane Jacket	 <p>Split Ring</p>			-50 - .420 (10.67) I.D. -52 - .480 (12.19) I.D. -54 - .635 (16.13) I.D. -56 - .745 (18.92) I.D. -58 - .885 (22.48) I.D. -60 - 1.010 (25.65) I.D. -64 - 1.125 (28.58) I.D. -68 - 1.345 (34.16) I.D.
	ZNU Aluminum / Zinc- Nickel with Black Chromate	MT Aluminum / Nickel- PTFE RoHS Compliant	Z1 Stainless Steel / Passivated RoHS Compliant		"SST" = Stainless Steel				

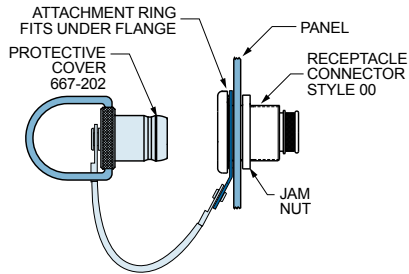
Dimensions in inches (millimeters) and are subject to change without notice.

Series 804 Push-Pull Mighty Mouse Protective Receptacle Cover Information

667-202

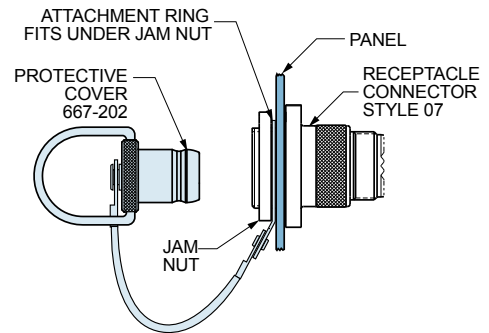


Attaching a 667-202 Receptacle Cover to a Front Panel Mounted Jam Nut Receptacle



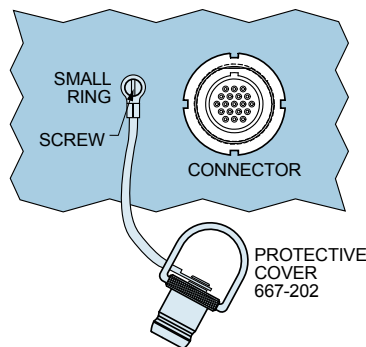
Solid Ring	Dia. Code	Shell Size	Conn. Thread Ref	Ring I.D.		Ring O.D.	
				In.	mm.	In.	mm.
	08	5	.5000-32	.510	13.0	.620	15.7
	16	6	.5625-28	.570	14.5	.690	17.5
	18	7, 8	.6875-28	.695	17.7	.820	20.8
	10	9	.7500-28	.766	19.4	.890	22.6
	25	10	.8125-28	.820	20.8	.940	23.9
	12	12	1.000-28	1.015	25.8	1.200	30.5
	20	14	1.062-20	1.070	27.2	1.200	30.5
	21	15	1.125-28	1.135	28.8	1.250	31.8

Attaching a 667-202 Receptacle Cover to a Rear Panel Mounted Jam Nut Receptacle



Solid Ring	Dia. Code	Shell Size	Conn. Thread Ref	Ring I.D.		Ring O.D.	
				In.	mm.	In.	mm.
	15	5	.4375-32	±.010	±0.25	±.015	±0.38
	08	6	.5000-32	.445	11.3	.570	14.5
	17	7, 8	.6250-28	.635	16.1	.760	19.3
	18	9	.6875-28	.695	17.7	.820	20.8
	10	10	.7500-28	.766	19.4	.890	22.6
	19	12	.8750-28	.885	22.5	1.010	25.7
	12	14	1.000-28	1.015	25.8	1.200	30.5

Attaching a 667-202 Receptacle Cover to a Panel With a Screw

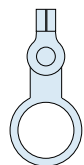
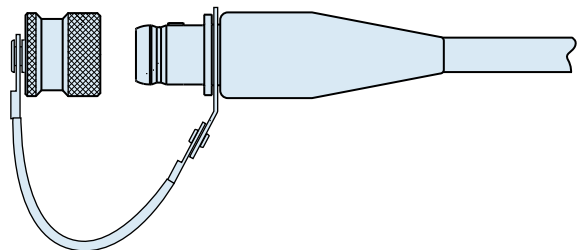


Small Ring for Attaching Receptacle Covers to a Panel with a Screw	Dia. Code	Screw Size	Ring I.D.		Ring O.D.	
			In.	mm.	In.	mm.
	01	#4, M3	±.005	±0.13	Max.	Max.
	02	#6	.126	3.20	.31	7.9
	04	#8, M4	.145	3.68	.31	7.9
	06	#10	.188	4.78	.31	7.9

Dimensions in inches (millimeters) and are subject to change without notice.

Attaching a Cover to a Cable Assembly With a Solid Ring

Install cover onto the back of the connector before overmolding or backshell installation.

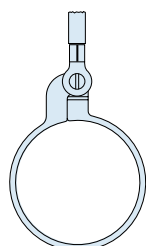
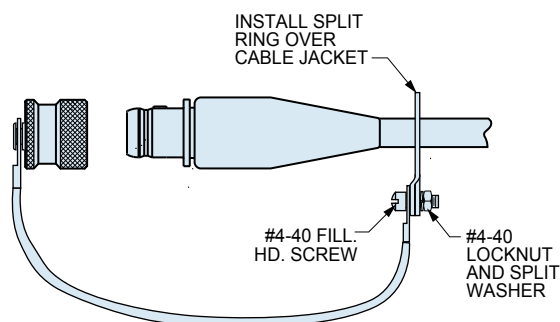


Solid Ring

Dia. Code	Shell Size	Ring I.D.		Ring O.D.	
		In.	mm.	In.	mm.
		± .010	±0.25	± .015	± 0.38
14	5, 6	.385	9.78	.510	12.95
15	7	.445	11.30	.565	14.35
16	8, 9	.570	14.48	.685	17.40
18	10, 12	.695	17.65	.820	20.82
20	14	1.070	27.17	1.195	30.35

Attaching a Cover to a Cable Using a Split Ring or Slip Knot

Split rings can be installed onto finished cables.

Large Split Ring for
Attaching Covers to
Cables

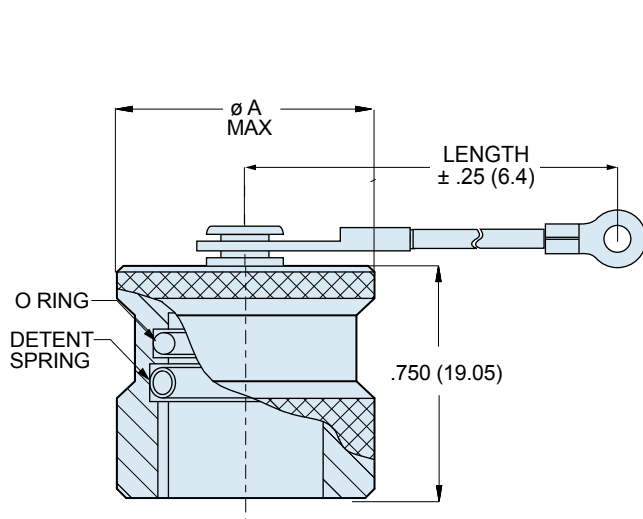
Dia. Code	Max. Cable Dia. (in.)	Ring Diameter			
		Min. ID		Max. OD	
		In.	mm.	In.	mm.
50	.410	.420	10.67	.580	14.73
52	.470	.480	12.19	.640	16.26
54	.625	.635	16.13	.796	20.22
56	.735	.745	18.92	.905	22.99
58	.875	.885	22.48	1.046	26.57
60	1.000	1.010	25.65	1.171	29.74
64	1.115	1.125	28.58	1.285	32.64
68	1.335	1.345	34.16	1.505	38.23

Dimensions in inches (millimeters) and are subject to change without notice.

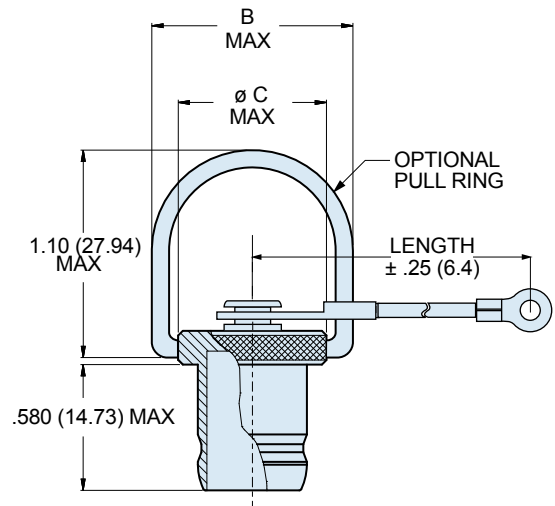
Series 804 Push-Pull Mighty Mouse Protective Plug and Receptacle Cover Dimensions 809-198 and 667-202



Series 804



809-198 Plug Cover








667-202 Receptacle Cover

Shell Size	Ø A Max.		Ø B Max.		Ø C Max.	
	In	mm	In	mm	In	mm
5	.496	12.60	.740	18.80	.490	12.45
6	.540	13.72	.740	18.80	.490	12.45
7	.645	16.38	.820	20.83	.570	14.48
8	.665	16.89	.870	22.10	.619	15.72
9	.720	18.29	.920	23.37	.670	17.02
10	.790	20.07	1.030	26.16	.783	19.89
12	.915	23.24	1.110	28.19	.860	21.84
14	1.040	26.42	1.230	31.24	.980	24.89

MATERIALS AND FINISHES

Cover	Aluminum alloy or stainless steel
O-ring	Fluorosilicone rubber
Wire, Hardware	Stainless steel, passivated

LANYARD OPTIONS

 Nylon Rope	-55° to +100°C., black, very flexible, very good abrasion resistance, good resistance to fuels, .120" (3mm) diameter
 Polyurethane Coated Wire Rope	Black polyurethane over stainless steel rope, -55° to +125°C., very flexible, excellent abrasion resistance, excellent resistance to fuels, .080" (2mm) diameter
 Teflon® Jacketed Wire Rope	Translucent FEP jacket over stainless steel, -55° to +200°C., fair flexibility, good abrasion resistance, .100" diameter
 Sash Chain	Stainless steel, #8 chain, .240" (6mm)
 Slip Knot (SK) for Attaching Covers to Cable	55° to +100°C., black, very flexible, very good abrasion resistance, good resistance to fuels, .120" (3mm) diameter. Length includes .5" (13mm) diameter loop.

Dimensions in inches (millimeters) and are subject to change without notice.

Series 804 Push-Pull Mighty Mouse Rubber Covers

809-083 and 809-087



809-083 Plug Cover

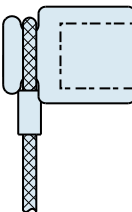
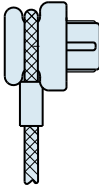

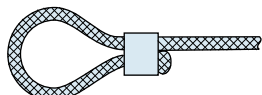

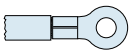
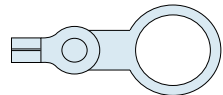


809-087 Receptacle Cover

These *splashproof molded rubber covers* fit all Series 804 plugs and receptacles. Braided black nylon lanyard is available with metal rings, cable tie or slipknot for attachment to panel or to cable.

HOW TO ORDER

Sample Part Number

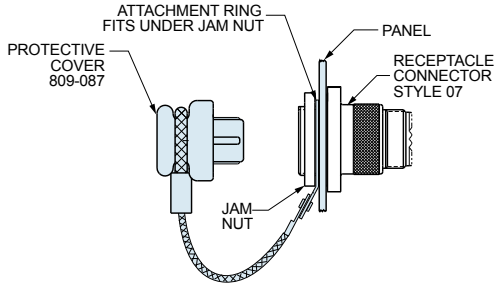
809-083	- 05	G	6	- SK	C
Series	Shell Size	Lanyard Type	Lanyard Length	Attachment Code	Conductive Rubber
 <p>809-083 Protective Cover for use with Series 804 Plugs</p>  <p>809-087 Protective Cover for use with Series 804 Receptacles</p>	<p>-05 -06 -07 -08 -09 -10 -12 -14</p>	<p>-G Nylon Rope (Omit for no lanyard)</p>	<p>Length in Inches</p>	 <p>-WS Nylon Cable Tie, 1.77 Inch (45mm) Maximum Wire Bundle Diameter</p>	<p>Omit for Standard Neoprene</p> <p>C Conductive Rubber</p>
				 <p>-SK Slip Knot</p>	
				 <p>-00 Lanyard With No Attachment (Fused End)</p>	
				Lug Terminals and Rings	
 <p>Lug Terminal</p>	<p>-01 - .126 (3.20) I.D. -02 - .145 (3.68) I.D. -05 - .188 (4.78) I.D. -06 - .197 (5.00) I.D.</p>				
 <p>Solid Ring</p>	<p>-07 - .385 (9.78) I.D. -08 - .510 (13.11) I.D. -09 - .583 (14.81) I.D. -10 - .766 (19.4) I.D. -11 - .896 (25.76) I.D. -12 - 1.015 (25.78) I.D. -15 - .445 (11.30) I.D. -16 - .570 (14.48) I.D. -17 - .635 (16.13) I.D. -18 - .695 (17.65) I.D. -19 - .885 (22.48) I.D. -20 - 1.070 (27.18) I.D. -21 - 1.135 (28.83) I.D. -25 - .820 (20.8) I.D.</p>				

Dimensions in inches (millimeters) and are subject to change without notice.

Series 804 Push-Pull Mighty Mouse Rubber Covers 809-083 and 809-087

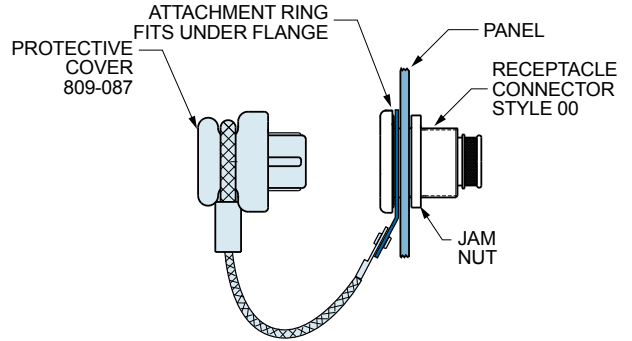


Attaching a 809-087 Receptacle Cover to a Rear Panel Mounted Jam Nut Receptacle



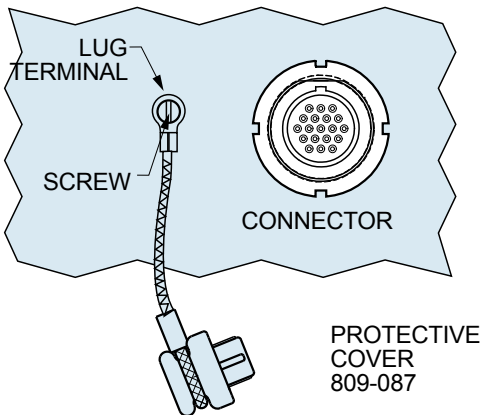
Solid Ring	Dia. Code	Shell Size	Conn. Thread Ref	Ring I.D.		Ring O.D.	
				In.	mm.	In.	mm.
	08	5	.5000-32	.510	13.0	.620	15.7
	16	6	.5625-28	.570	14.5	.690	17.5
	18	7, 8	.6875-28	.695	17.7	.820	20.8
	10	9	.7500-28	.766	19.4	.890	22.6
	25	10	.8125-28	.820	20.8	.940	23.9
	12	12	1.000-28	1.015	25.8	1.200	30.5
	20	14	1.062-20	1.070	27.2	1.200	30.5
	21	15	1.125-28	1.135	28.8	1.250	31.8

Attaching a 809-087 Receptacle Cover to a Front Panel Mounted Jam Nut Receptacle



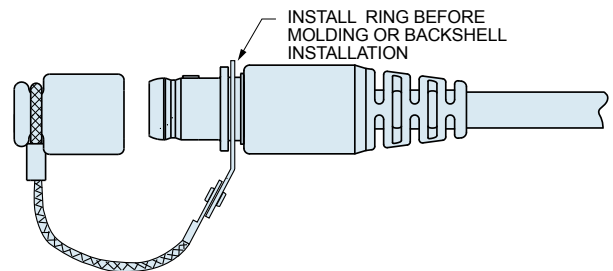
Solid Ring	Dia. Code	Shell Size	Conn. Thread Ref	Ring I.D.		Ring O.D.	
				In.	mm.	In.	mm.
	15	5	.4375-32	±.010	±0.25	±.015	±0.38
	08	6	.5000-32	.445	11.3	.570	14.5
	17	7, 8	.6250-28	.635	16.1	.760	19.3
	18	9	.6875-28	.695	17.7	.820	20.8
	10	10	.7500-28	.766	19.4	.890	22.6
	19	12	.8750-28	.885	22.5	1.010	25.7
	12	14	1.000-28	1.015	25.8	1.200	30.5

Attaching a 809-087 Receptacle Cover to a Panel With a Lug Terminal



Lug Terminal for Attaching Receptacle Covers to a Panel with a Screw	Dia. Code	Shell Size	Ring I.D.		Ring O.D.	
			In.	mm.	In.	mm.
	01	#4, M3	±.005	±0.13	Max.	Max.
	02	#6	.126	3.20	.31	7.9
	05	#8, M4	.145	3.68	.31	7.9
	06	#10	.188	4.78	.31	7.9
			.197	5.00	.31	7.9

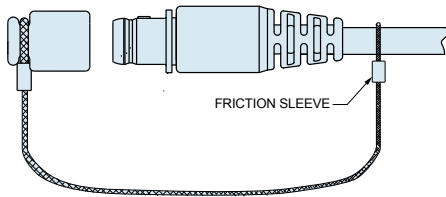
Attaching a Cover to a Cable Assembly With a Solid Ring



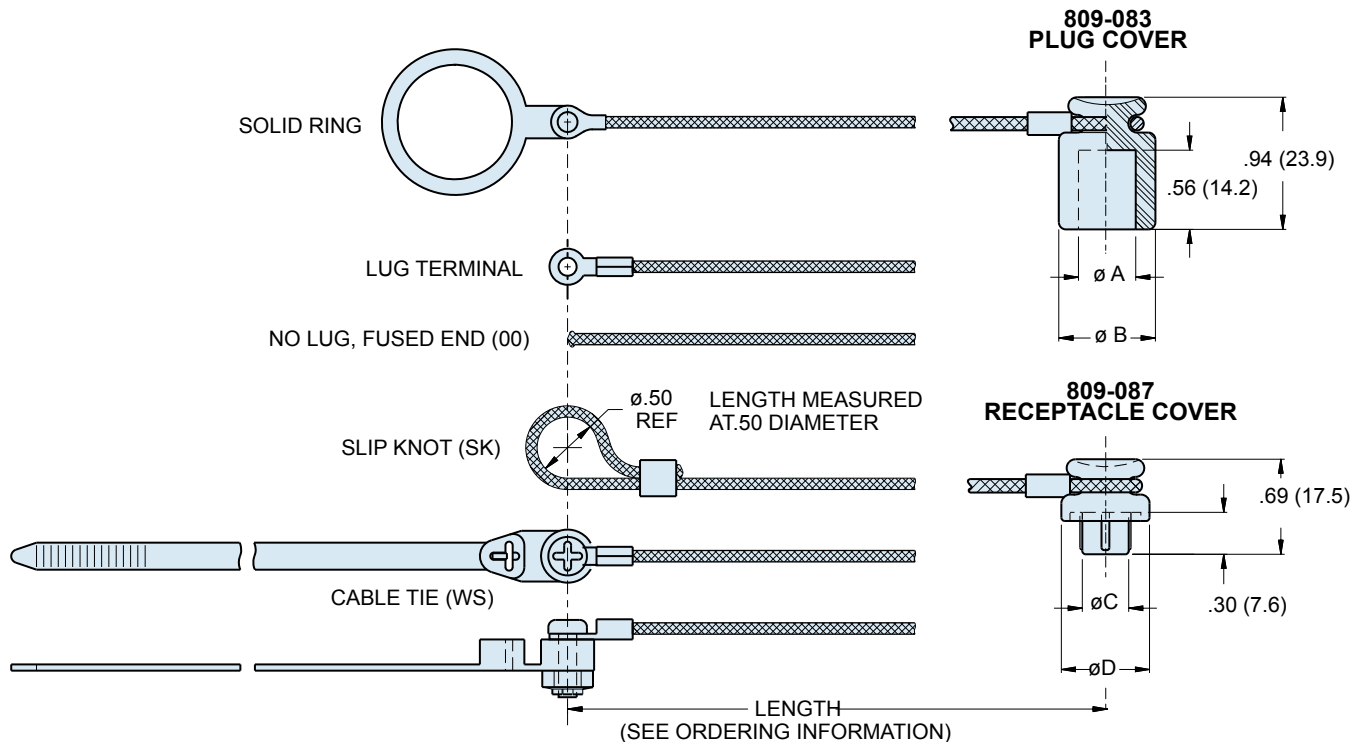
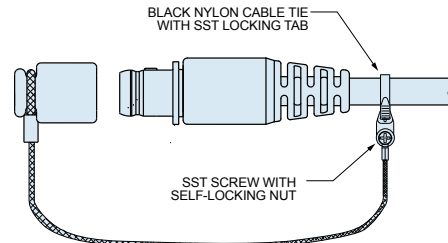
Solid Ring	Dia. Code	Shell Size	Ring I.D.		Ring O.D.	
			In.	mm.	In.	mm.
	07	5, 6	±.010	±0.25	±.015	±0.38
	15	7	.385	9.78	.510	12.95
	16	8, 9	.445	11.30	.565	14.35
	18	10, 12	.570	14.48	.685	17.40
	20	14	.695	17.65	.820	20.82
			1.070	27.17	1.195	30.35

Dimensions in inches (millimeters) and are subject to change without notice.

Attaching a Cover to a Cable Assembly With Type SK Slip Knot



Attaching a Cover to a Cable Assembly With Type WS Cable Tie



Shell Size	ϕA		ϕB		ϕC		ϕD	
	In	mm	In	mm	In	mm	In	mm
5	.23	5.8	.56	14.2	.27	6.9	.59	15.0
6	.29	7.4	.56	14.2	.33	8.4	.65	16.5
7	.36	9.1	.56	14.2	.40	10.2	.78	19.8
8	.41	10.4	.68	17.3	.44	11.2	.78	19.8
9	.46	11.7	.68	17.3	.50	12.7	.84	21.3
10	.54	13.7	.79	20.1	.57	14.5	.90	22.9
12	.55	14.0	.79	20.1	.69	17.5	1.03	26.2
14	.78	19.8	1.11	28.2	.82	20.8	1.15	29.2

MATERIALS	
Cover	Neoprene rubber blend, black
Lanyard	.062" (1.57) diameter nylon cord, black
Cable Tie	6/6 nylon, black, SST locking tab
Ring	Stainless steel, black zinc-cobalt finish

Dimensions in inches (millimeters) and are subject to change without notice.

Series 804 Push-Pull Mighty Mouse Spring-Loaded Cover

667-282



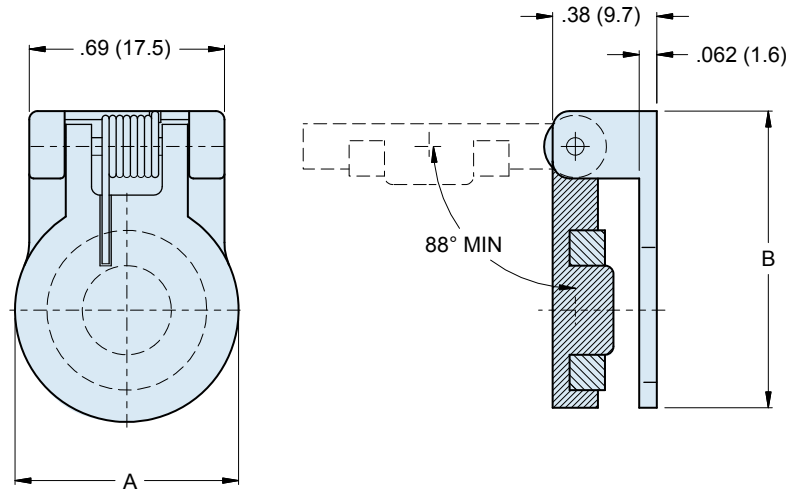
Series 804

Spring-Loaded Cover for Series 804 Jam Nut Receptacles

"Flop lid" snaps shut when cable is disconnected. Silicone gasket provides watertight seal when closed. Fits standard Series 804 jam nut receptacles. For .057/.067 inch (1.45/1.70mm) panel thickness. Aluminum alloy or stainless steel.



Shell Size	Part Number				
	Aluminum				Stainless Steel
	Electroless Nickel	Cadmium/Olive Drab	Nickel-PTFE	Black Zinc-Nickel	Passivated
5	667-282M05	667-282NF05	667-282MT05	667-282ZNU05	667-282Z105
6	667-282M06	667-282NF06	667-282MT06	667-282ZNU06	667-282Z106
7	667-282M07	667-282NF07	667-282MT07	667-282ZNU07	667-282Z107
8	667-282M08	667-282NF08	667-282MT08	667-282ZNU08	667-282Z108
9	667-282M08	667-282NF09	667-282MT09	667-282ZNU09	667-282Z109
10	667-282M10	667-282NF10	667-282MT10	667-282ZNU10	667-282Z110
12	667-282M12	667-282NF12	667-282MT12	667-282ZNU12	667-282Z112
14	667-282M14	667-282NF14	667-282MT14	667-282ZNU14	667-282Z114



Shell Size	Dimensions			
	A		B	
	In.	mm.	In.	mm.
5	.63	16.0	.93	23.6
6	.69	17.5	.99	25.1
7	.82	20.8	1.11	28.2
8	.82	20.8	1.11	28.2
9	.88	22.4	1.18	30.0
10	.94	23.9	1.24	31.5
12	1.07	27.2	1.36	34.5
14	1.19	30.2	1.49	37.8

Materials	
Cover, Housing	Aluminum Alloy or Stainless Steel
Gasket	Sponge Silicone Rubber
Sleeve	Delrin
Spring, Shaft	Stainless Steel

Dimensions in inches (millimeters) and are subject to change without notice.